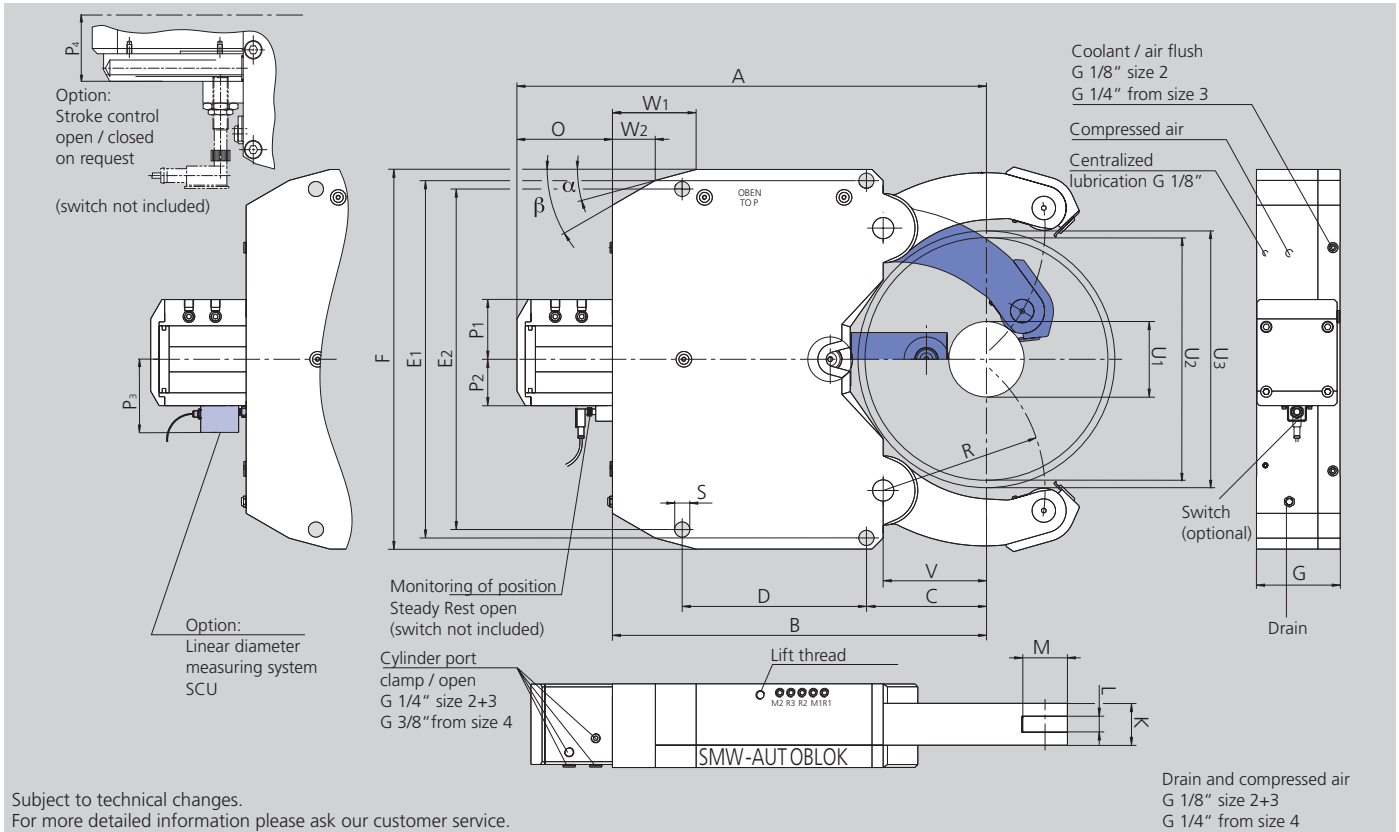


- Sealed body
- Chip guard with coolant nozzles
- Stroke control unit or proximity switches



Subject to technical changes.
For more detailed information please ask our customer service.

Drain and compressed air
G 1/8" size 2+3
G 1/4" from size 4

SMW-AUTOBLOK Type Size		K 2	K 3	K 4	K 4.1	K 5	K 5.1	K 6	K 6.1
Centering range with coolant chip guard	U1	25	65	52	90	80	100	135	215
	U2	180	235	280	330	390	410	460	510
Max. axial clearing diameter	U3	188	242	285	331	404	424	464	512
	A	400	443	582	612	753	763	816	815.5
	B	305	355	460	490	607	617	670	680
	C	120	150	168	198	230	240	215	245
	D	120	140	180	180	240	240	330	300
	E1	270	312	360	360	445	445	640	640
	E2	270	312	360	360	445	445	610	610
	F	295	345	400	400	485	485	680	680
	G	75	105	125	125	150	150	150	150
	K	35	45	60	60	75	75	75	75
Width of rollers	L	19	25	25	25	29	29	29	29
Diameter of rollers	M	35	47	52	52	62	62	80	80
	O	95	88	122	122	146	146	146	135.5
	P1	63	92	91	91	97	97	107	107
	P2	40	62	67	67	73	73	83	83
	P3	82	104	109	109	115	115	125	125
	P4	-	-	91	91	97	97	107	107
	R	124	155	200	228	265	275	290	310
	S	14	18	23	23	23	23	27	27
	V	90	115	140	170	195	205	185	215
	W1	50	50	110	110	130	130	150	155
	α	10	15°	15°	15°	15°	15°	15°	20°
	W2	26.1	10	59.8	59.8	50.6	50.6	77	87.1
	β	35°	30°	30°	30°	30°	30°	30°	30°
Piston area*	cm ²	19.6	38.5	63	63	78	78	113	113
Operating pressure min. / max.	bar	8 / 70	8 / 80	8 / 70	8 / 70	8 / 80	8 / 80	8 / 80	8 / 80
Max. clamping force / roller	daN	450	1000	1500	1500	2000	2000	3000	3000
Centering accuracy w. the whole range	mm	0.03	0.05	0.06	0.06	0.07	0.07	0.07	0.07
Repeatability accuracy	mm	0.005	0.007	0.007	0.007	0.01	0.01	0.01	0.01
Max. roller surface speed	m/min	800	725	715	715	600	600	560	560
Weight approx.	kg	52	64	114	116	209	209	335	330

* Cylinders differing from standard available on request.

- Ordering review
- Accessories
- Wearing parts

K Steady Rest with stroke control Steady Rest open via proximity switch (without proximity switch)***

Steady Rest size		2	3	4	4.1	5	5.1	6	6.1
K-M Manual lubrication	Id. No.	223566	127251	129901	129121	127485	127559	127491	127497
K-Z Central lubrication oil	Id. No.	223565	127252	129900	129120	127484	127558	127490	127496
K-OLD Central lubrication oil + air	Id. No.	223567	127253	129902	129122	127486	127560	127492	127498
K-F Central grease lubrication	Id. No.	223568	220200	129903	129400	221815	221100	223494	223495

K Steady Rest with stroke control via linear stroke control SCU, output 4-20 mA

Steady Rest size		2	3	4	4.1	5	5.1	6	6.1
K-M Manual lubrication	Id. No.	on request	127266	221401	221409	124981	124984	124987	124990
K-Z Central lubrication oil	Id. No.	on request	127265	221400	221408	124980	124983	124986	124989
K-OLD Central lubrication oil + air	Id. No.	on request	127267	221402	221410	124982	124985	124988	124991
K-F Central grease lubrication	Id. No.	on request	on request	221403	221411	on request	on request	on request	on request

K Steady Rest with stroke control via linear stroke control SCU, output 0-10 V

Steady Rest size		2	3	4	4.1	5	5.1	6	6.1
K-M Manual lubrication	Id. No.	on request	127269	221405	221413	125120	125123	125126	125129
K-Z Central lubrication oil	Id. No.	on request	127268	221404	221412	125119	125122	125125	125128
K-OLD Central lubrication oil + air	Id. No.	on request	127270	221406	221414	125121	125124	125127	125130
K-F Central grease lubrication	Id. No.	on request	on request	221407	221415	on request	on request	on request	on request

Type K

◆ denotes wearing parts, recommended stock items

Steady Rest size		2	3	4	4.1	5	5.1	6	6.1
Compact lubrication system for oil pressure lubrication Container 2.7 l, 220 V *,**		088707	088707	088707	088707	088707	088707	088707	088707
Compact lubrication system for oil + air lubrication Container 2.7 l, 220 V *,**		088708	088708	088708	088708	088708	088708	088708	088708
Eccenter fine adjustment compl. at lever arm (2 pcs. per Steady Rest) manual / central lubrication		127237	127240	128474	128474	125612	125612	124894	124894
Inductive limit switch		087926	087926	087926	087926	087926	087926	087926	087926
Swarf guard coolant / air with wiper		128106	124024	125797	125797	125816	125816	125837	125837
Wiper for swarf guard coolant / air	◆	128108	124026	126904	126904	126888	126888	126694	126694
Roller stripper for middle piece	◆	200154	198950	200151	200151	200152	200152	203268	203268
Roller cylindrical design	◆	016952	016951	016953	016953	018345	018345	026594	026594
Roller spherical design	◆	017658	018433	018443	018443	019545	019545	121302	121302
Roller synthetic material ****	◆	029451	023443	023672	023672	023650	023650	on request	on request
Roller stripper (2-pieces) for middle piece with roller synthetic material	◆	204211	204212	204214	204214	204216	204216	-	-
Roller carbide	◆	129223	129225	220918	220918	222038	222038	on request	on request
Adjustment device 1 set = 3 pcs.		200178	200178	200179	200179	200179	200179	200179	200179

* When placing an order, please advise voltage.

** On request 110 V available.

*** Stroke control open / closed on request.

**** Attention: Reduced clamping force! Please refer to the clamping force value marked on the roller.