



Example: CPG with D-VARIO diaphragm chuck

## CPG

### Pneumatic pancake cylinder for diaphragm chuck D-VARIO and face driver FDG

- Easy installation for grinding and turning machines without hydraulic unit
- Operating pressure 2-8 bar
- Medium feed for air / coolant

- Pneumatic actuation (2-8 bar)
- Easy installation for grinding and turning machines



Application example:  
CPG with D-VARIO diaphragm chuck

### Application/customer benefits

- For the actuation of diaphragm chuck D-VARIO and face driver FDG
- Easy installation for grinding and turning machines without hydraulic unit
- Compact design

### Technical features

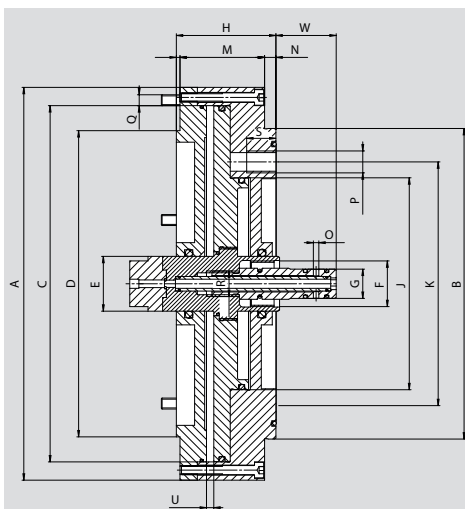
- Operating pressure 2-8 bar
- Maximum axial piston force push 21 kN and pull 7 kN
- 1 additional medium feed for air / coolant
- Air service unit with water separator and oil feed necessary
- Air feed tube necessary

### Standard equipment

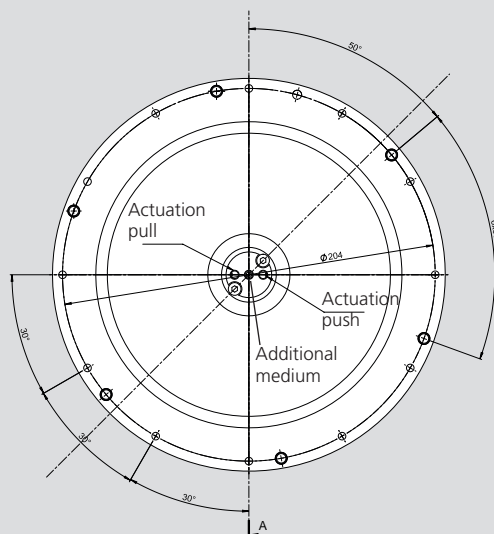
Pneumatic pancake cylinder  
(without air feed tube)

### Ordering example

Version D-VARIO Id.No. 045863  
Version FDG Id.No. 045891  
APFL3 Id.No. 5302595



Subject to technical changes.  
For more detailed information please ask for customer drawing.



### Accessory



APFL3 Air feed tube

3 Connections:  
1x Actuation „push“  
1x Actuation „pull“  
1x Additional medium channel for air/coolant

Id. No. 5302595

## Technical Data

SMW-AUTOBLOK Type			CPG 215
	A	mm	215
	B	mm	170
	C	mm	195
	D	mm	167.6
	E	mm	30
	F	mm	M25x1.5
	G	mm	16
	H	mm	54.5
	J	mm	116
	K	mm	133.4
	L	mm	2
	M	mm	46.3
	N	mm	6.2
	O	mm	3
	P	mm	3x M12x120°
	Q	mm	M6
	R	mm	M14
	S	mm	16
Piston stroke	U	mm	4
Axial force 6 bar (pull)		kN	5
Axial force at 6 bar (push)		kN	16
Moment of inertia		kg·m <sup>2</sup>	0.09
Max. speed		r.p.m.	2.500
Piston area (piston pull)		cm <sup>2</sup>	98
Piston area (piston push)		cm <sup>2</sup>	291
Operating pressure (**)		bar	2-8
Weight		kg	11.1

(\*) Version FDG contains reducing fl ange Z140. Total stroke max. 4mm.

(\*\*) Operating pressure for opening the D-VARIO chuck min. 6 bar