

■ Steel cross tombstone



Application/customer benefits

- Steel cross tombstone ready to use on horizontal machining centres
- Easy mounting of the multiple clamping system CV / CV-S
- Best use of the machine table

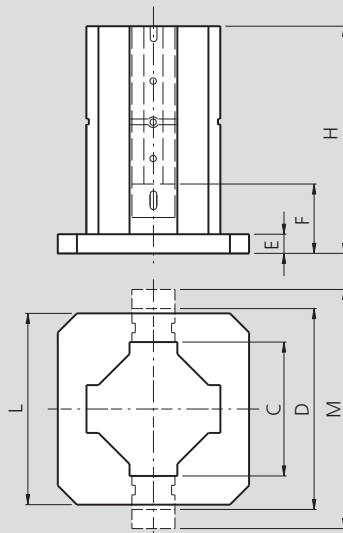
Technical Features

- Prepared to mount of 4 multiple clamping devices CV / CV-S
- Interface for JIS pallets and for zero point clamping systems APS / WPS / ZeroAct

Standard equipment

Tombstone

Technical data



Subject to technical changes.

	Type	Id. No.	C [mm]	D [mm]	E [mm]	F [mm]	H [mm]	L [mm]	M [mm]	Weight [kg]
Steel	CV-VCS 38/60-400	58418011	250	370	40	120	460	400	450	110
	CV-VCS 38/60-500	58418021	250	370			560	400	450	123
	CV-VCS 38/60-500	58418022	300	420			560	500	500	165
	CV-VCS 38/60-630	58418031	250	370			690	400	450	142
	CV-VCS 38/60-630	58418032	300	420			690	500	500	187
	CV-VCS 38/60-630	58418033	380	500			690	630	580	261
	CV-VCS 90-400	58428011	250	390	40	130	460	400	480	110
	CV-VCS 90-500	58428021	250	390			560	400	480	123
	CV-VCS 90-500	58428022	300	440			560	500	530	165
	CV-VCS 90-630	58428031	250	390			690	400	480	142
	CV-VCS 90-630	58428032	300	440			690	500	530	187
	CV-VCS 90-630	58428033	380	520			690	630	610	261
Aluminium	CV-VCS 38/60-630	58427931	250	370	40	120	690	400	450	66
	CV-VCS 38/60-630	58427932	250	370			690	500	450	76
	CV-VCS 38/60-630	58427933	250	500			690	630	580	122
	CV-VCS 90-630	58427931	250	390	40	130	690	400	480	66
	CV-VCS 90-630	58427932	250	390			690	500	480	76
	CV-VCS 90-630	58427933	250	520			690	630	610	122