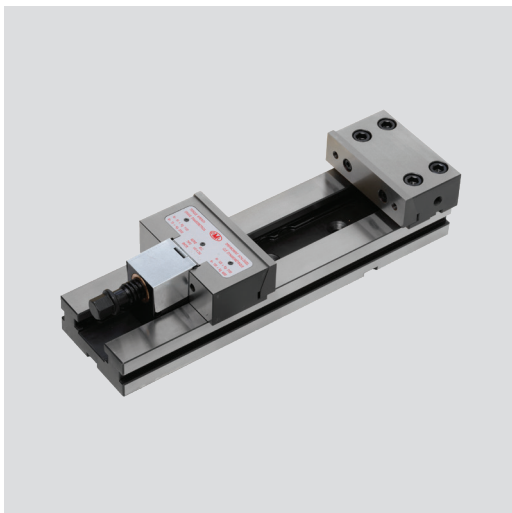


- Quick positioning for the jaw
- Maximum flexibility

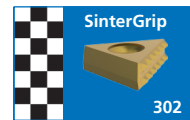


**Application/customer benefits**

- High precision bench vise
- Quick positioning for the movable jaw
- Pull-down jaws including the possibility to use them without pull down effect
- Easy and quick cleaning possible
- Maximum flexibility due to the wide range of accessories

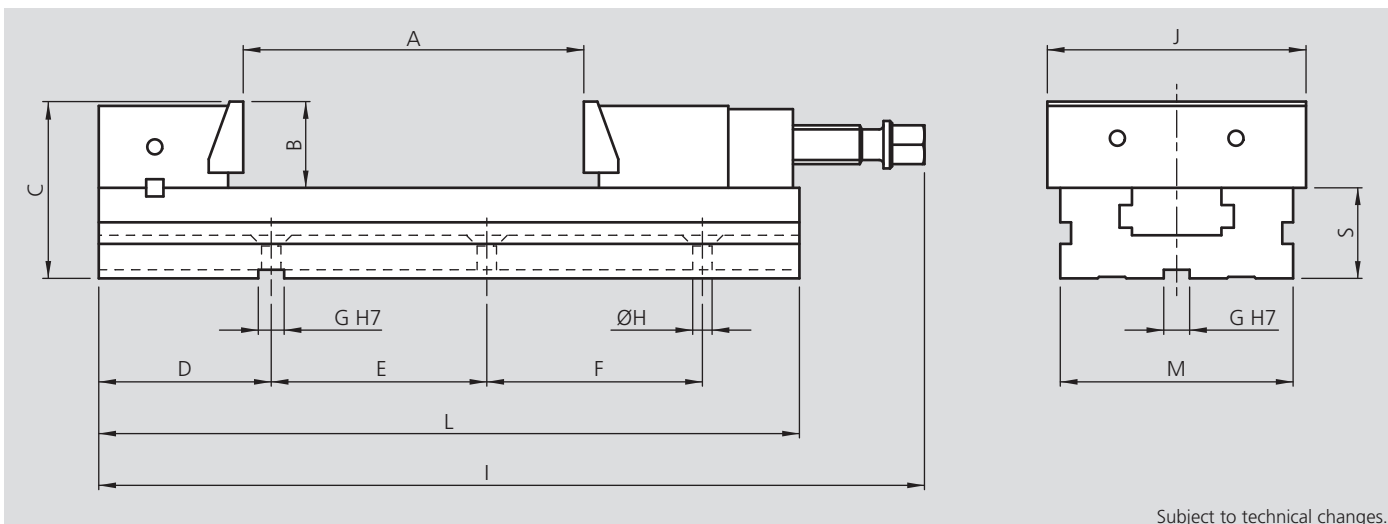
**Technical features**

- 2 different jaw sizes
- Pull-down jaws (0.2 mm)
- Parallel stripes with quick change „CLAK-System“ see page 285
- Optional: Interface for zero point clamping systems APS / WPS / ZeroAct (on request)
- No side mounting possible



**Standard equipment**

MCI precision bench vise with clamping wrench, pull-down jaws, jaws for SinterGrip clamping inserts, workstop, protection cover for spindle, parallels with quick change „CLAK-System“, 1 pair 18 mm positioning keys, transport box

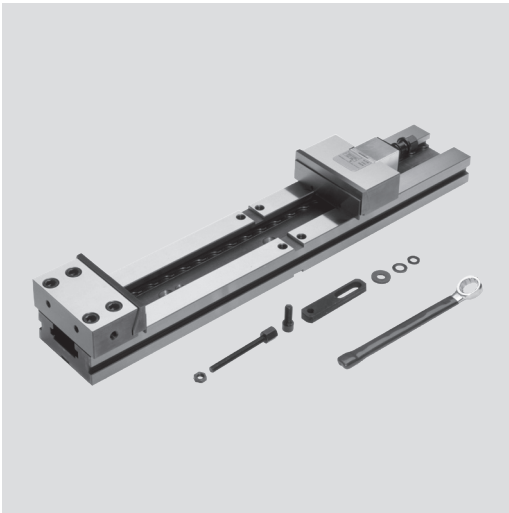


Subject to technical changes.

**Order review**

Type	Id. No.	A [mm]	B [mm]	C [mm]	D [mm]	E [mm]	F [mm]	G [mm]	H [mm]	I [mm]	J [mm]	L [mm]	M [mm]	O [mm]	S [mm]	Weight [kg]
MCI 150 x 200	77580601	200	50	102	120	200	-	18	12.5	482	150	415	128	85	52	25.5
MCI 150 x 250	77580602	250	50	102	120	100	100	18	12.5	532	150	465	128	85	52	57.5
MCI 150 x 300	77580603	300	50	102	120	100	100	18	12.5	587	150	520	128	85	52	30.4
MCI 200 x 300	77580701	300	70	136	150	150	150	18	12.5	656	200	570	168	109	66	66
MCI 200 x 400	77580702	400	70	136	150	200	200	18	12.5	756	200	670	168	109	66	68

- Quick positioning for the jaw
- Extra long clamping range



### Application/customer benefits

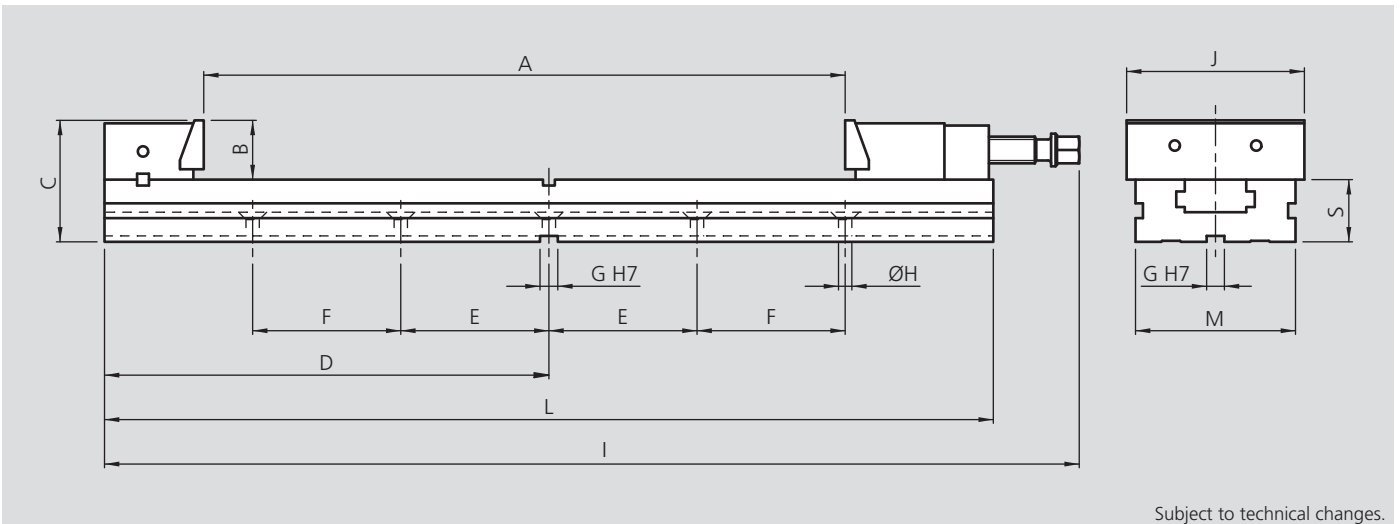
- High precision bench vise in extra long version
- Quick positioning for the movable jaw
- Pull-down jaws including the possibility to use them without pull down effect
- Easy and quick cleaning possible
- Maximum flexibility due to the wide range of accessories

### Technical features

- Pull-down jaws (0.2 mm)
- Parallel stripes with quick change „CLAK-System“ see page 285
- Optional: interface for zero point clamping systems APS / WPS / ZeroAct (on request)

### Standard equipment

MCI-XL precision bench vise with clamping wrench, pull-down jaws, workstop, protection cover for spindle, parallels with quick change „CLAK-System“, 1 pair 18 mm positioning keys, transport box

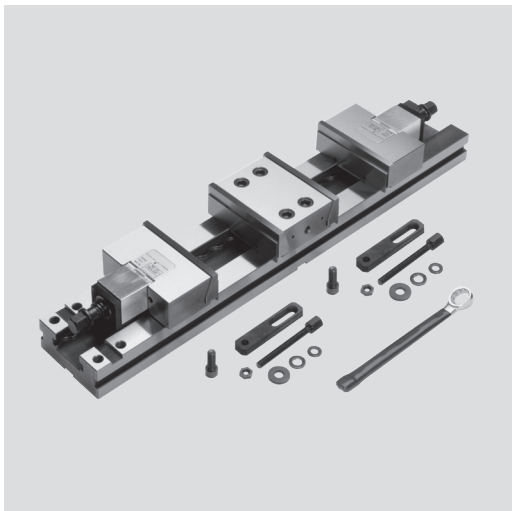


Subject to technical changes.

### Order review

Type	Id. No.	A [mm]	B [mm]	C [mm]	D [mm]	E [mm]	F [mm]	G [mm]	H [mm]	I [mm]	J [mm]	L [mm]	M [mm]	S [mm]	Weight [kg]
MCI-XL 150x545	77580604	545	50	102	379	100	150	18	12.5	828	150	758	128	52	37
MCI-XL 150x655	77580605	655	50	102	439	100	200	18	12.5	938	150	878	128	52	41

- Quick positioning for the jaw
- Double clamping system



**Application/customer benefits**

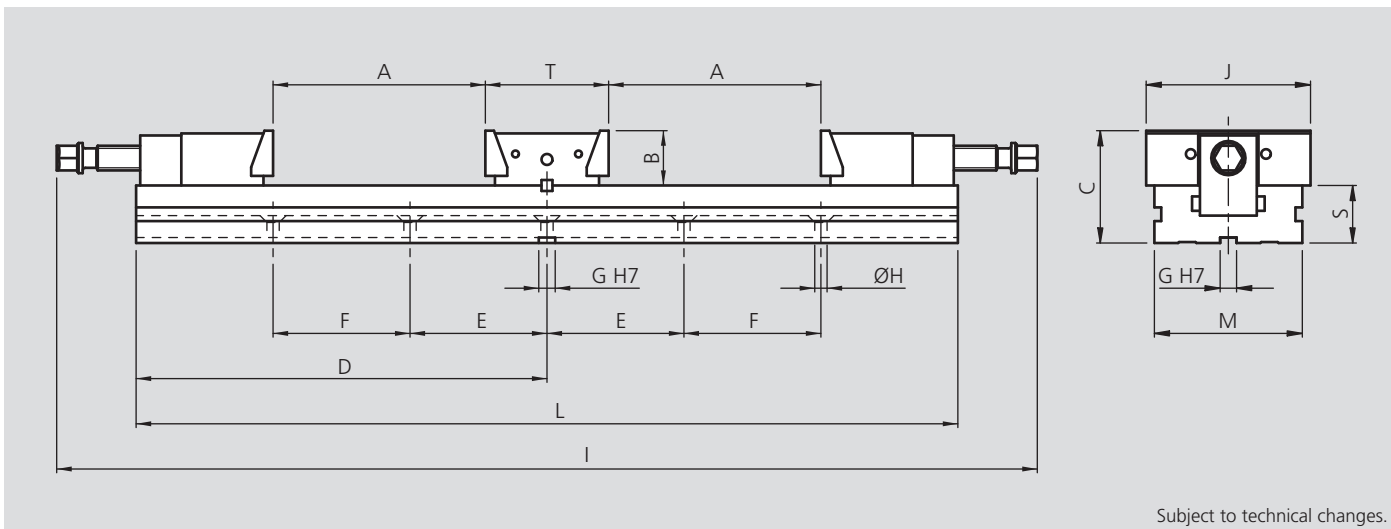
- High precision bench vise in extra long version
- Quick positioning for the movable jaw
- Pull-down jaws including the possibility to use them without pull down effect
- Easy and quick cleaning possible
- Maximum flexibility due to the wide range of accessories

**Technical features**

- Pull-down jaws (0.2 mm)
- Parallel stripes with quick change „CLAK-System“ see page 285
- Optional: Interface for zero point clamping systems APS / WPS / ZeroAct (on request)

**Standard equipment**

MCI-DC precision bench vise with clamping wrench, workstop, protection cover for spindle, parallels with quick change „CLAK-System“, 1 pair positioning keys, transport box

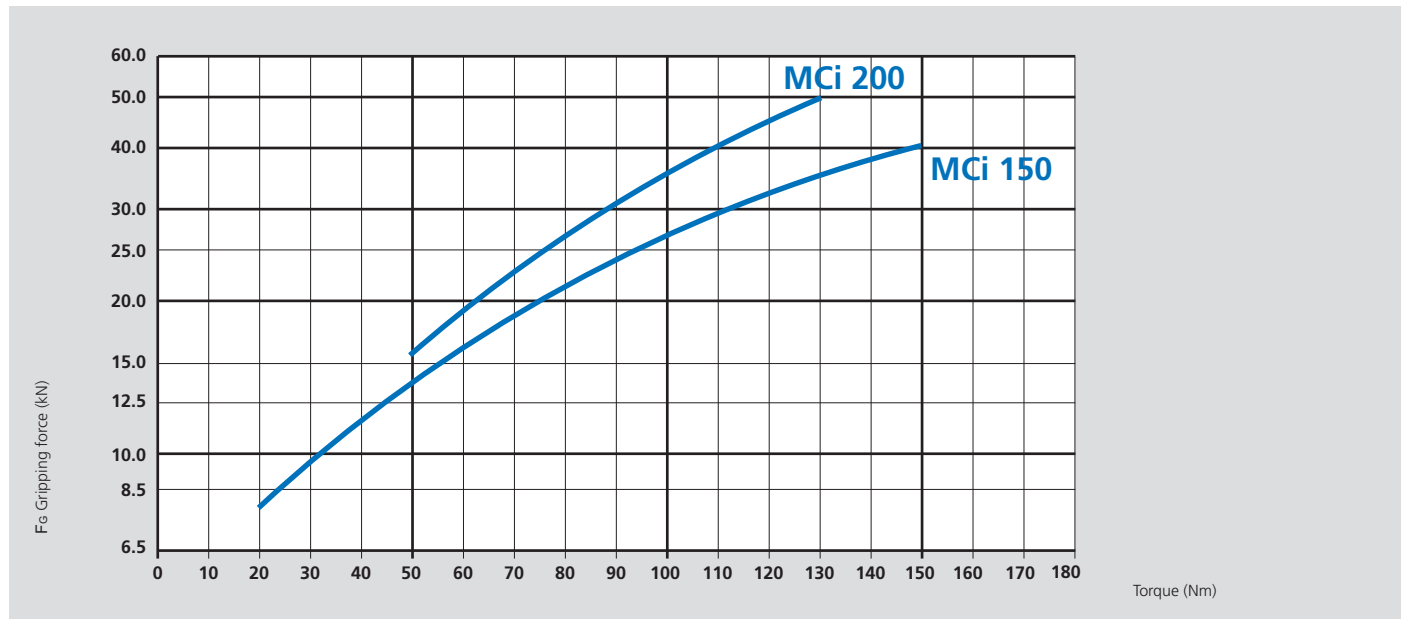


**Order review**

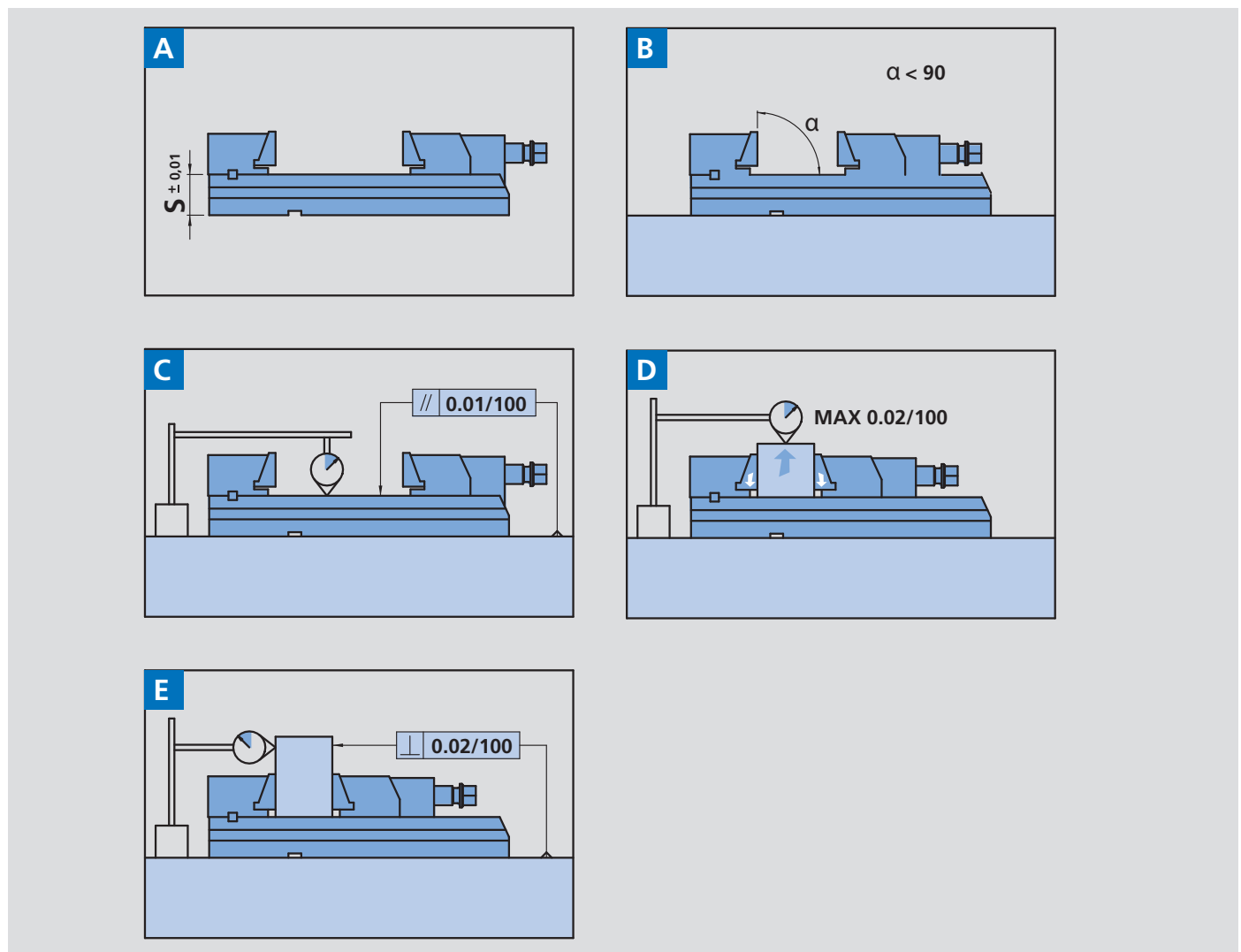
Type	Id. No.	A [mm]	B [mm]	C [mm]	D [mm]	E [mm]	F [mm]	G [mm]	H [mm]	I [mm]	J [mm]	L [mm]	M [mm]	S [mm]	T [mm]	Weight [kg]
MCI-DC 150x200	77581601	200	50	102	379	100	150	18	12.5	897	150	758	128	52	103	44
MCI-DC 150x250	77581602	250	50	102	439	100	200	18	12.5	997	150	878	128	52	103	48

- Clamping force diagram
- Tolerances

### Clamping force diagram

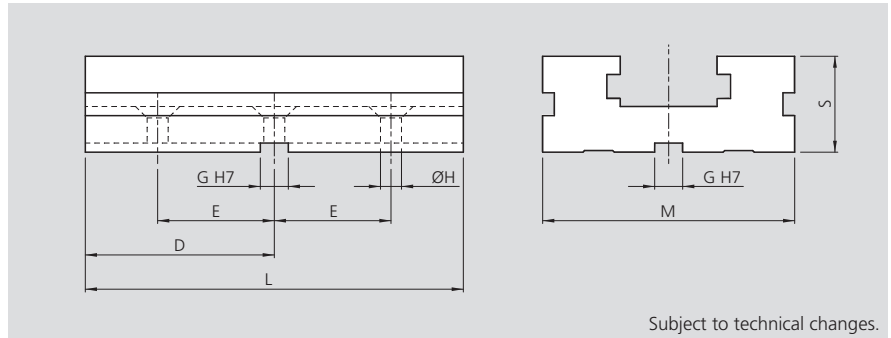


### Form, position and dimensional tolerances for all clamping vices MCI



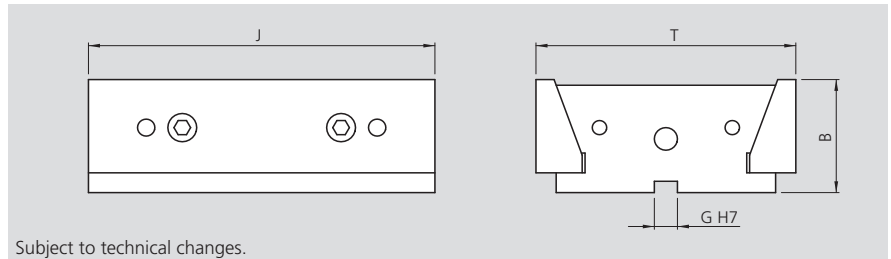
- Accessories
- Extension elements

MCI extension element with pair of 18 mm positioning keys



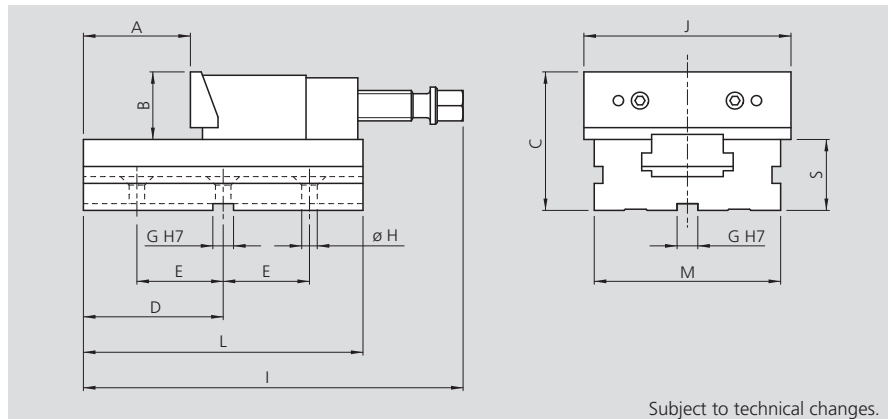
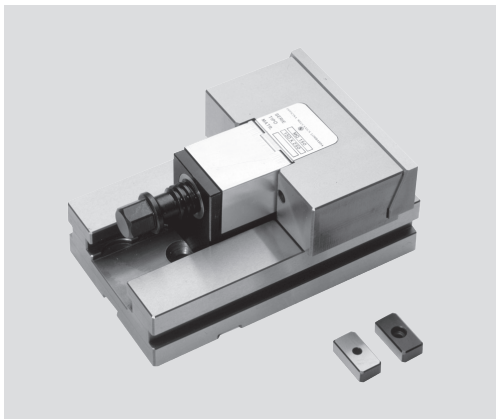
Type	Id. No.	D [mm]	E [mm]	G [mm]	H [mm]	L [mm]	M [mm]	S [mm]	Weight [kg]
MCI 150	58061700	114	75	18	12.5	228	128	52	8
MCI 200	58071700	140	100	18	12.5	280	168	66	18

MCI double fixed support with jaw



Type	Id. No.	B [mm]	G [mm]	J [mm]	T [mm]	Weight [kg]
MCI 150	58167210	50	12	150	103	5
MCI 200	58177210	70	18	200	140	15

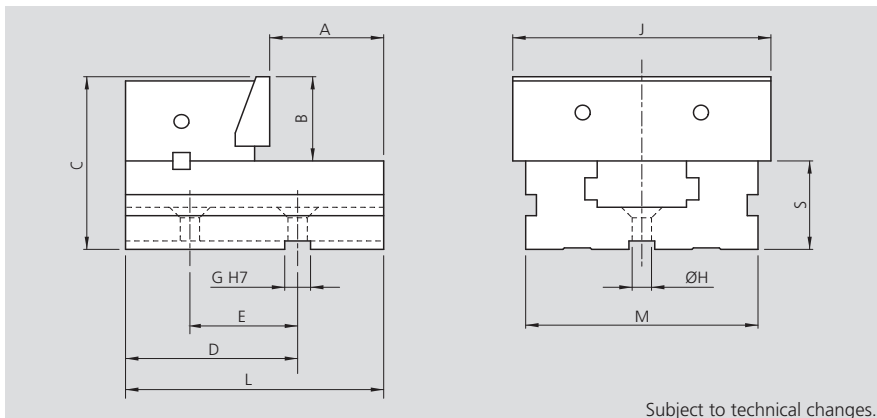
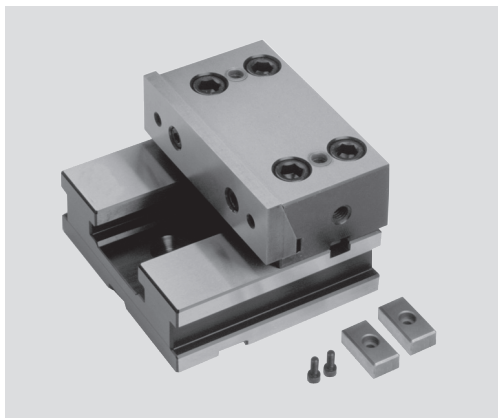
MCI complete extension element with pair of 18 mm positioning keys



Type	Id. No.	A [mm]	B [mm]	C [mm]	D [mm]	E [mm]	G [mm]	H [mm]	I [mm]	J [mm]	L [mm]	M [mm]	S [mm]	Weight [kg]
MCI 150	58067110	100	50	102	114	75	18	12.5	295	150	228	128	52	14.5
MCI 200	58077110	120	70	136	140	100	18	12.5	370	200	280	168	66	34.5

- Accessories
- Base

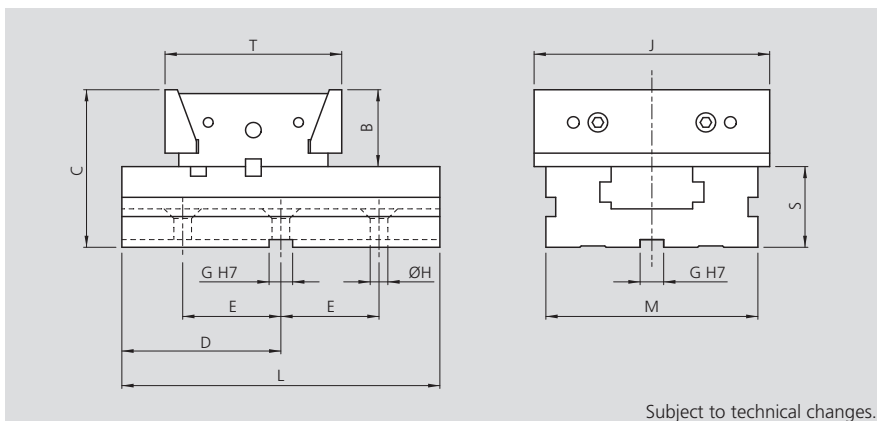
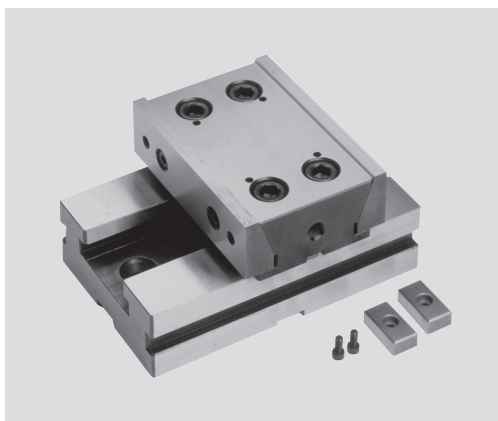
### MCI base with fixed support with jaw complete with pair of 18 mm positioning keys



Subject to technical changes.

Type	Id. No.	A [mm]	B [mm]	C [mm]	D [mm]	E [mm]	G [mm]	H [mm]	J [mm]	L [mm]	M [mm]	S [mm]	Weight [kg]
MCI 150	58067010	85	50	102	120	75	18	12.5	150	170	128	52	9.5
MCI 200	58077010	96	70	136	150	100	18	12.5	200	205	168	66	22

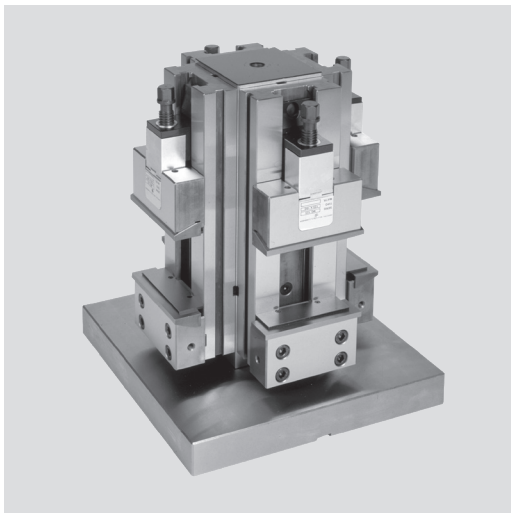
### MCI base with double fixed support with jaw complete with pair of 18 mm positioning keys



Subject to technical changes.

Type	Id. No.	B [mm]	C [mm]	D [mm]	E [mm]	G [mm]	H [mm]	J [mm]	L [mm]	M [mm]	S [mm]	T [mm]	Weight [kg]
MCI 150	58167010	50	102	100	75	18	12.5	150	200	128	52	103	13
MCI 200	58177010	70	136	125	100	18	12.5	200	250	168	66	140	40

- Quick positioning for the jaw
- Maximum flexibility



### Application/customer benefits

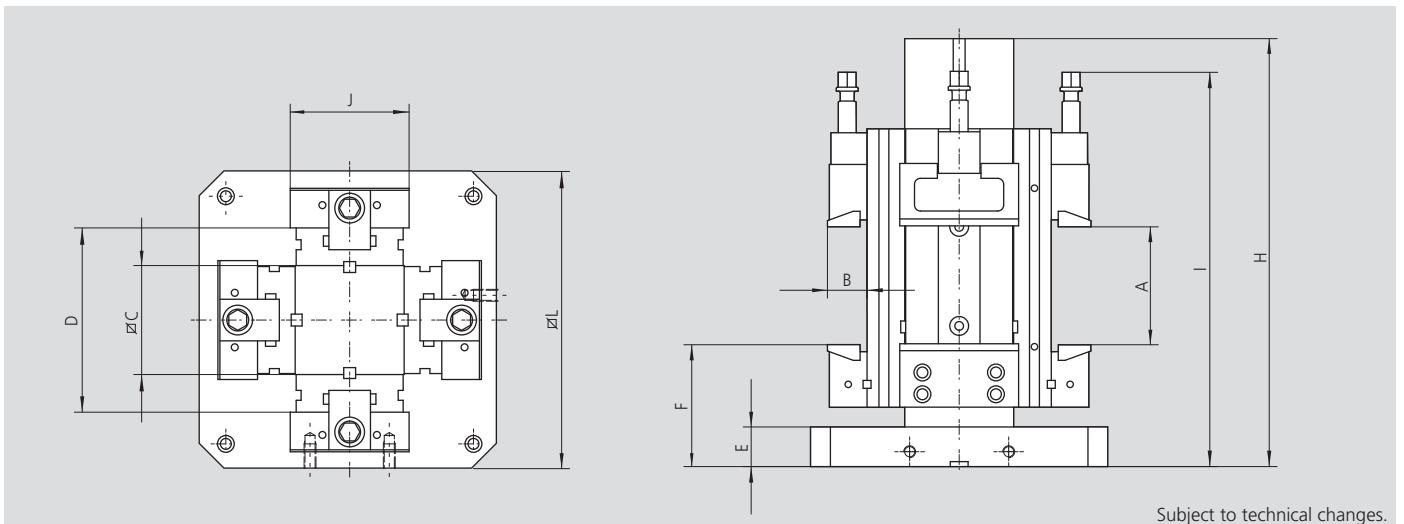
- Steel tombstone ready to use on horizontal machining centres, including 4 MCI vises
- Quick positioning for the movable jaw
- Maximum flexibility due to the wide range of accessories

### Technical features

- 2 different jaw sizes
- Pull-down jaws (0.2 mm)
- Parallel stripes with quick change „CLAK-System“ see page 285
- Interface for JIS pallets and for zero point clamping systems APS / WPS / ZeroAct (on request)

### Standard equipment

Vertical clamping system complete with: 4 clamping equipment MCI, 1 column, 1 base for vertical system MCI, 4 pairs of SinterGrip jaws, 4 pairs of CLAK parallels, 4 covers for protection of the screws 4 rigid slide-ways, 4 workstops, 4 wrenches, eye bolt for lifting, transport box



### Order review

Type	Id. No.	A [mm]	B [mm]	C [mm]	D [mm]	E [mm]	F [mm]	H [mm]	I [mm]	J [mm]	L [mm]	Weight [kg]
MVS-MCi 150 x 200	77582621	200	50	150	254	40	146	580	545	150	400	249
MVS-MCi 150 x 250	77582622	250	50	150	254	40	146	580	595	150	400	257
MVS-MCi 150 x 300	77582623	300	50	150	254	40	146	580	650	150	400	267
MVS-MCi 150 x 200	77582631	200	50	150	254	40	146	580	545	150	500	276
MVS-MCi 150 x 250	77582632	250	50	150	254	40	146	580	595	150	500	284
MVS-MCi 150 x 300	77582633	300	50	150	254	40	146	580	650	150	500	294
MVS-MCi 200 x 300	77582731	300	70	200	332	40	159	661	711	200	500	535

### ■ Steel tombstone



### Application/customer benefits

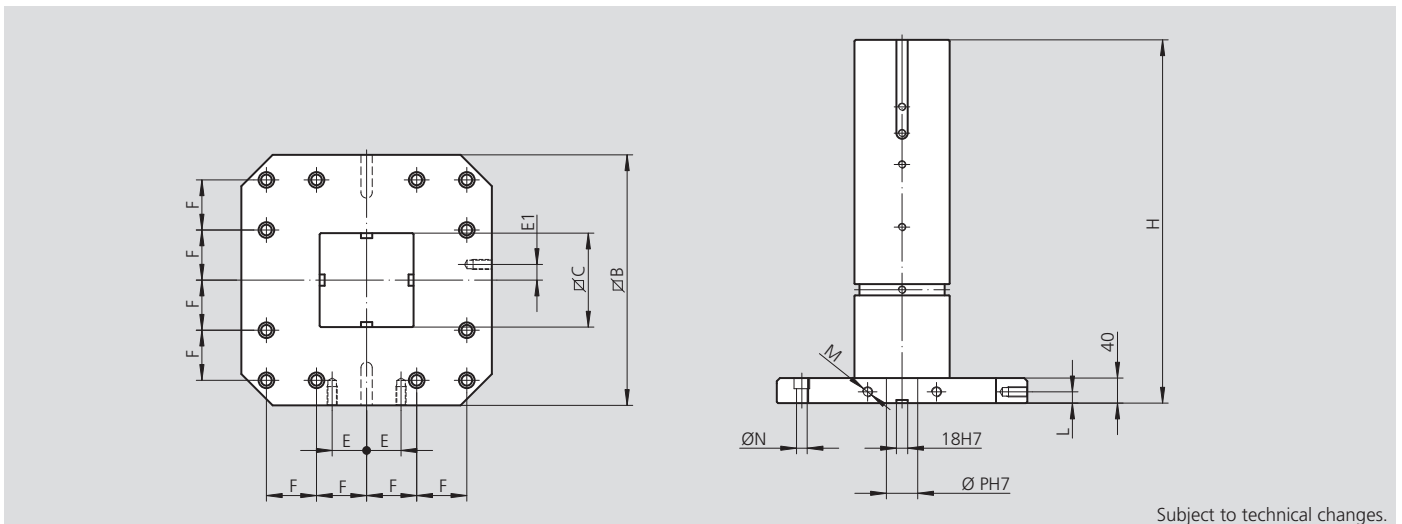
- Steel tombstone ready to use on horizontal machining centres

### Technical features

- Interface for JIS pallets and for zero point clamping systems APS / WPS / ZeroAct

### Standard equipment

Tombstone



Subject to technical changes.

### Order review

Type	Id. No.	B [mm]	C [mm]	E [mm]	E1 [mm]	F [mm]	H [mm]	L [mm]	M [mm]	N [mm]	P [mm]	Weight [kg]
MVS-MCi 150	58228020	400	150	55	25	80	580	18	16	17	50	142
MVS-MCi 150	58228030	500	150	75	25	100	580	18	16	17	50	169
MVS-MCi 200	58238030	500	200	75	25	100	661	18	16	17	50	266

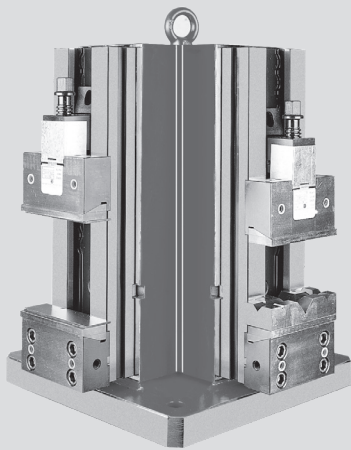
### Insert for vertical use



Type	Id. No.
MVS-MCi 150	58223300
MVS-MCi 200	58233300



- Quick positioning for the jaw
- Maximum flexibility



## Application/customer benefits

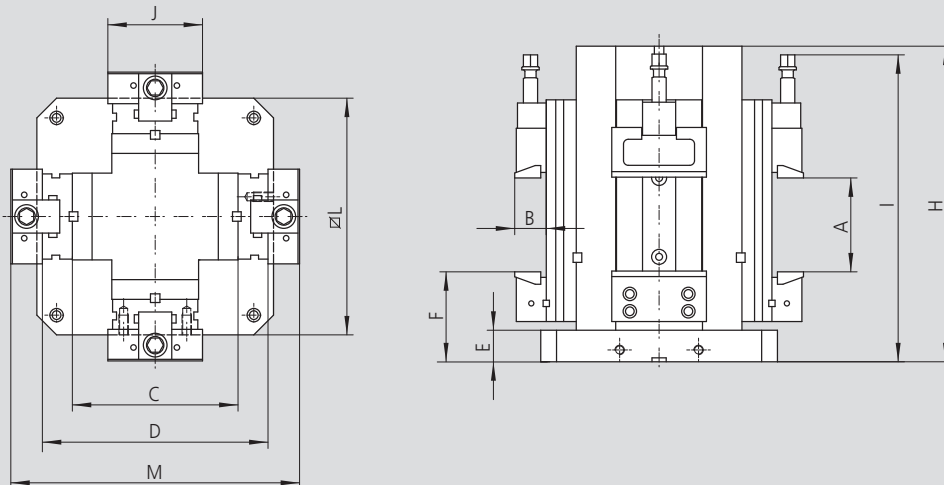
- Steel tombstone ready to use on horizontal machining centres, including 4 MCI vises
- Quick positioning for the movable jaw
- Maximum flexibility due to the wide range of accessories

## Technical features

- 2 different jaw sizes
- Pull-down jaws (0.2 mm)
- Parallel stripes with quick change „CLAK-System“ see page 285
- Interface for JIS pallets and for zero point clamping systems APS / WPS / ZeroAct (on request)

## Standard equipment

Vertical clamping system complete with: 4 clamping equipment MCI, 1 cross tombstone for vertical system MCI, 4 pairs of SinterGrip jaws, 4 pairs of CLAK parallels, 4 covers for protection of the screws 4 rigid slide-ways, 4 work stops, 4 wrenches, eye bolt for lifting, transport box

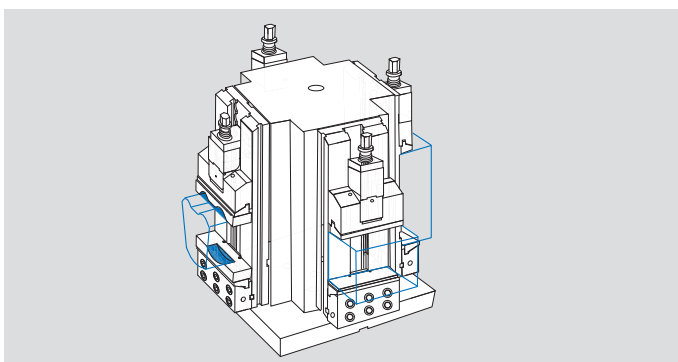


Subject to technical changes.

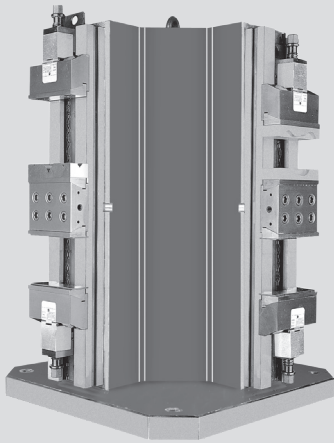
## Order review

Type	Id. No.	A [mm]	B [mm]	C [mm]	D [mm]	E [mm]	F [mm]	H [mm]	I [mm]	J [mm]	L [mm]	M [mm]	Weight [kg]
VCS-MCi 150 x 200	77585621	200	50	300	404	40	140	580	540	150	400	504	314
VCS-MCi 150 x 250	77585622	250	50	300	404	40	140	580	590	150	400	504	322
VCS-MCi 150 x 300	77585623	300	50	300	404	40	140	580	647	150	400	504	332
VCS-MCi 150 x 200	77585631	200	50	300	404	40	140	580	540	150	500	504	342
VCS-MCi 150 x 250	77585632	250	50	300	404	40	140	580	590	150	500	504	350
VCS-MCi 150 x 300	77585633	300	50	300	404	40	140	580	547	150	500	504	360
VCS-MCi 200 x 300	77585741	300	70	350	482	45	168	670	720	200	630	622	627

## Working examples



- Quick positioning for the jaw
- Maximum flexibility



### Application/customer benefits

- Ready to use vertical clamping system including 4 MCi vises
- Quick positioning for the movable jaw
- Extra long clamping range
- Maximum flexibility due to the wide range of accessories

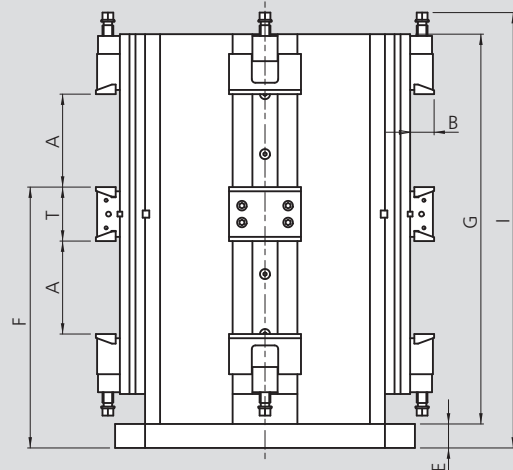
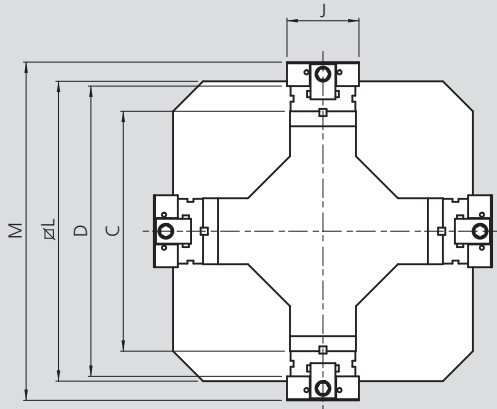
### Technical features

- Pull-down jaws (0.2 mm)
- Parallel stripes with quick change „CLAK-System“ see page 285
- Optional: Interface for zero point clamping systems APS / WPS / ZeroAct (on request)

### Standard equipment

Vertical clamping system complete with: 4 double clamping equipment MCi-DC, 1 cross tombstone XL, 8 pairs parallels with quick change „CLAK-System, 8 covers for protection of the screws, 8 rigid slide-ways, 8 workstops, eye bolt for lifting, 8 wrenches, transport box

Subject to technical changes.

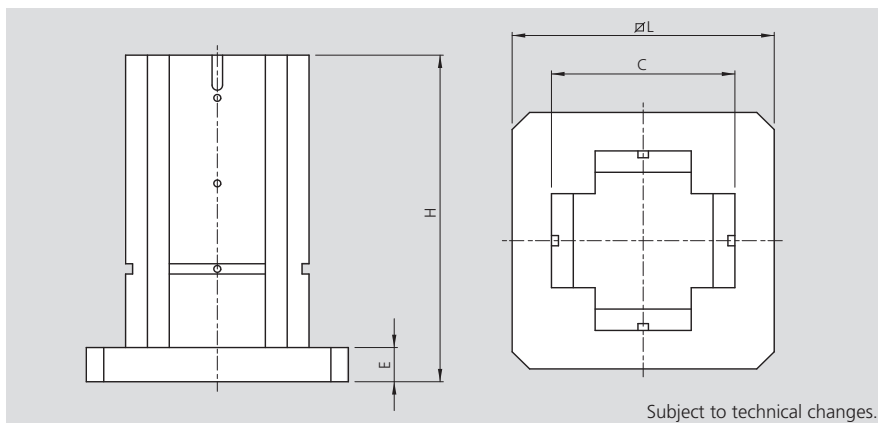


### Order review

Type	Id. No.	A [mm]	B [mm]	C [mm]	D [mm]	E [mm]	F [mm]	G [mm]	I [mm]	J [mm]	L [mm]	M [mm]	T [mm]	Weight [kg]
DVCS-MCi 150x200	77586601	200	50	550	654	45	515	795	890	150	630	754	103	680

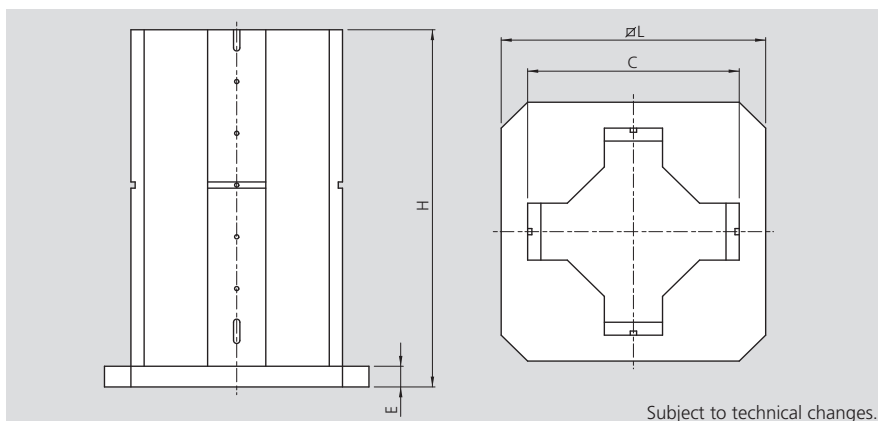
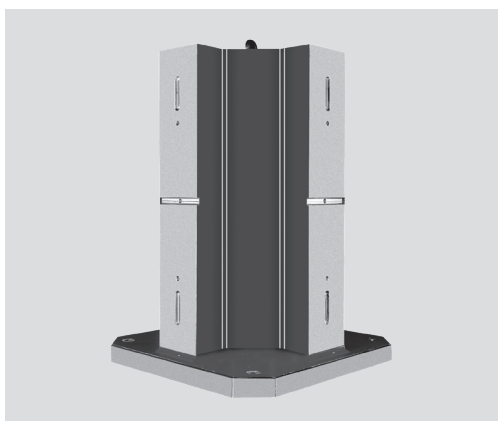
- Accessories
- Cross cube

Cross cube for VCS-TCi; -MCI



Type	Id. No.	C [mm]	E [mm]	H [mm]	L [mm]	Weight [kg]
VCS 150	58528020	300	40	580	400	212
VCS 150	58528030	300	40	580	500	240
VCS 200	58538040	350	45	670	630	363

Cross cube for DVCS-TCi; -MCI



Type	Id. No.	C [mm]	E [mm]	H [mm]	L [mm]	Weight [kg]
DVCS 150	58628000	550	45	840	630	475

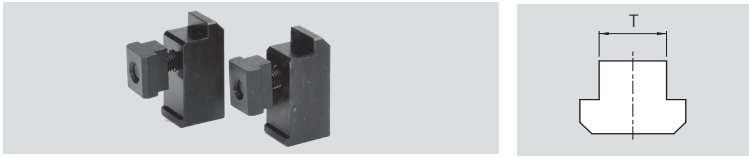
Insert for vertical use



Typ	Id. No.
MCI 150	58223300
MCI 200	58233300

- Accessories
- Mounting

### Clamps (1 pair) incl. screw and T-nut



Type	Id. No. / Groove width					
	12 mm	14 mm	16 mm	18 mm	20 mm	22 mm
MCI 150	58022792	58022793	58022794	58022795	58022796	58022797
MCI 200	58032792	58032793	58032794	58032795	58032796	58032797

### T-nuts (1 pair) incl. screw



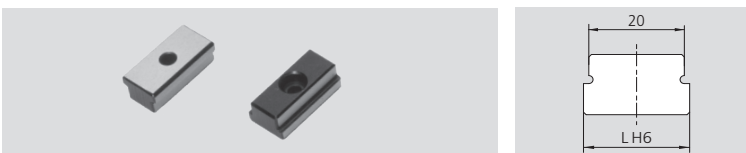
Type	Id. No. / Groove width					
	12 mm	14 mm	16 mm	18 mm	20 mm	22 mm
MCI 150	58022592	58022593	58022594	58022595	58022596	58022597
MCI 200	58032592	58032593	58032594	58032595	58032596	58032597

### Key way with standard dimensions (1 pair)



Type	Id. No. / Groove width 12h6 mm
MCI 200	58021395

### Key way with special dimensions (1 pair)



Type	Id. No. / Groove width				
	12h6 mm	14h6 mm	16h6 mm	20h6 mm	22h6 mm
MCI 150	58021392	58021393	58021394	58021396	58021397
MCI 200	58021392	58021393	58021394	58021396	58021397