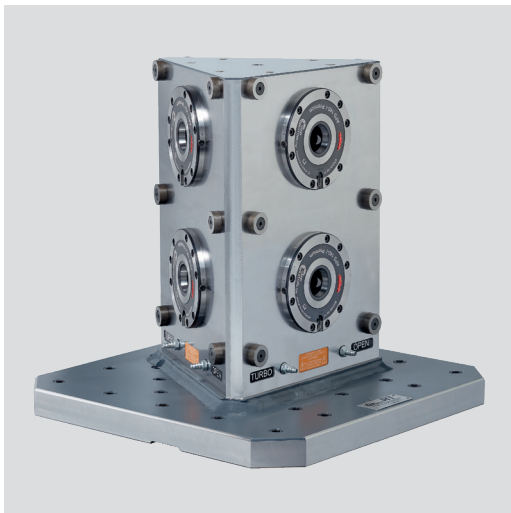


- Modular system
- Highest accuracy and precision



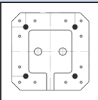
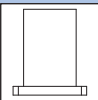
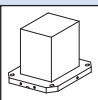
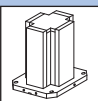
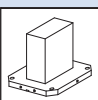
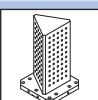
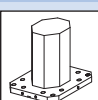
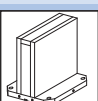
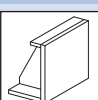
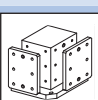
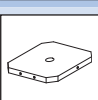
**Application/customer benefits**

- Modular system: Wide range of standard products and shortest delivery times
- Highest rigidity and anti-vibration design
- Optimal accessibility of the machine spindle to the workpiece
- Highest accuracy and precision
- High quality thread insert bushes used for grid versions

**Technical features**

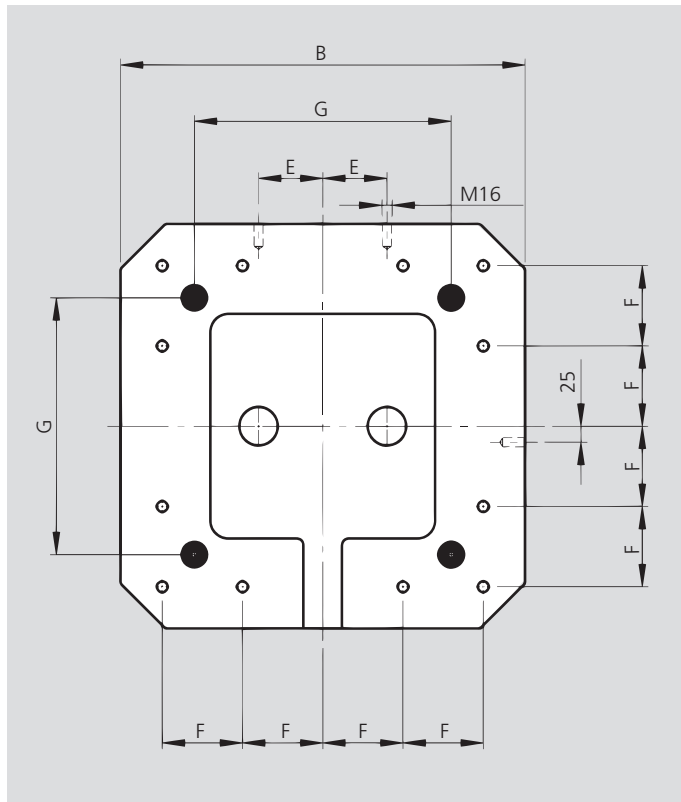
- Steel (optional hardened), aluminium or cast iron
- Suitable for standard machine pallets type DIN 55201 and JIS 6337-1980
- Raw, milled with / without grid bore holes
- Special sizes on request

**Overview**

Product picture	Description	Page
	Dimensions of standard adaptation for machine tools pallet	231
	Manufacturing tolerances	231
	Tombstones square	235
	Tombstones cross	238
	Tombstones rectangle	240
	Tombstones triangle	243
	Tombstones octagon	231
	Crankwebs	246
	Angle plates	250
	Plates	251
	Subplates	253

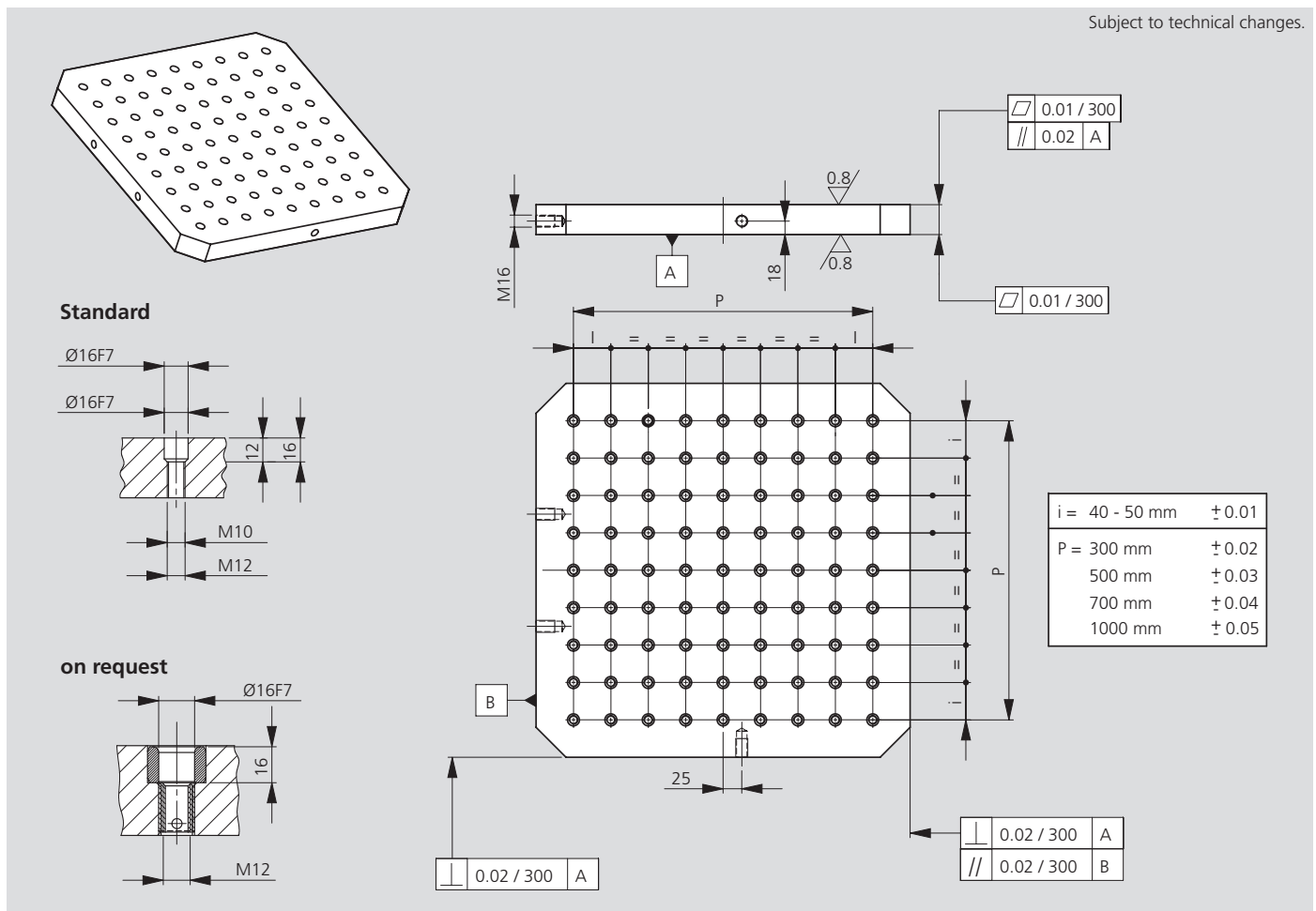
- Dimensions of standard adaptation
- Manufacturing tolerances

## Dimensions of standard adaptation for machine tool pallets

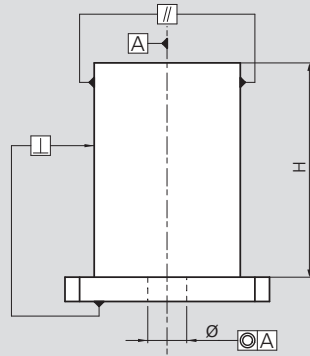


B [mm]	E [mm]	F [mm]	G [mm]
300	on request	on request	on request
400	55	80	250
500	75	100	250
630	100	125	420
800	135	160	420

## Manufacturing tolerances



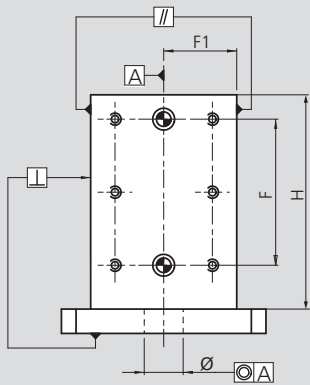
Tombstones milled



H	⊥	//	⊙
500 mm	0.020	0.020	0.020
1000 mm	0.035	0.035	0.035

Subject to technical changes.

Tombstones with grid bore holes for plates

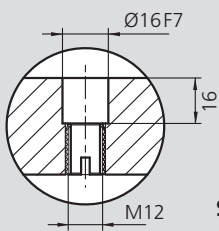


H	⊥	//	⊙
500 mm	0.020	0.020	0.020
1000 mm	0.035	0.035	0.035

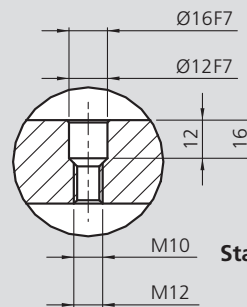
F= 300 mm	± 0.02
500 mm	± 0.03
700 mm	± 0.04
F1= 500 mm	± 0.015
1000 mm	± 0.025

Subject to technical changes.

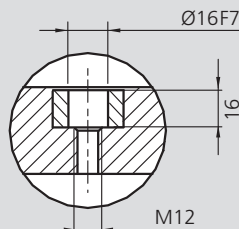
Tombstones with grid bore holes



Standard for cast iron

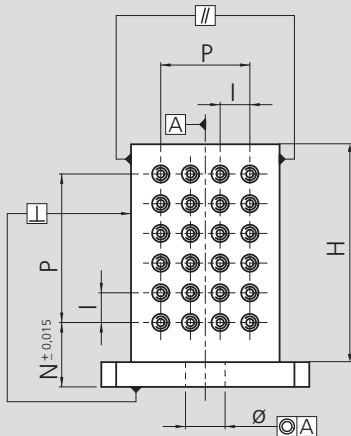


Standard steel and aluminium



Further grid version for aluminium with steel sleeve insert

H	⊥	//	⊙
500 mm	0.020	0.020	0.020
1000 mm	0.035	0.035	0.035



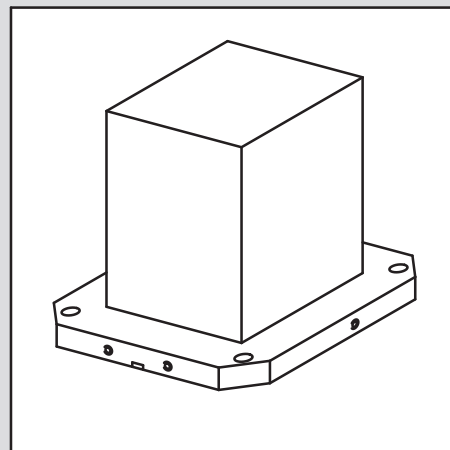
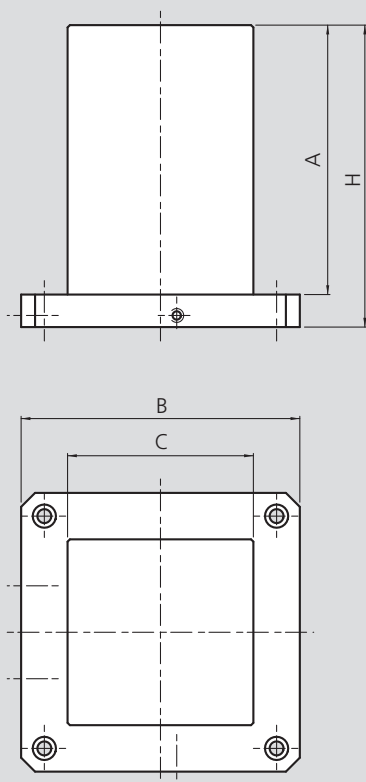
Further grid version for cast iron with steel sleeve and thread insert

i = 40 - 50 mm	± 0.01
P = 300 mm	± 0.02
500 mm	± 0.03
700 mm	± 0.04
1000 mm	± 0.05

Subject to technical changes.

- Steel, aluminum or cast iron
- Raw or milled

Subject to technical changes.



## Tombstones square – STEEL

Raw Id. No.	Milled Id. No.	A [mm]	B [mm]	C [mm]	H [mm]	Weight [kg]
57006006	57006005	415	300	160	455	81
57006036	57006035	620	400	250	660	205
57006056	57006055	660	500	350	700	318
57006091	57006090	815	630	450	860	524
57006121	57006120	945	800	550	1000	795

## Tombstones square – ALUMINUM

Id. No.	A [mm]	B [mm]	C [mm]	H [mm]	Weight [kg]
57306035	620	400	250	660	80
57306055	660	500	350	700	137
57306090	815	630	450	860	253

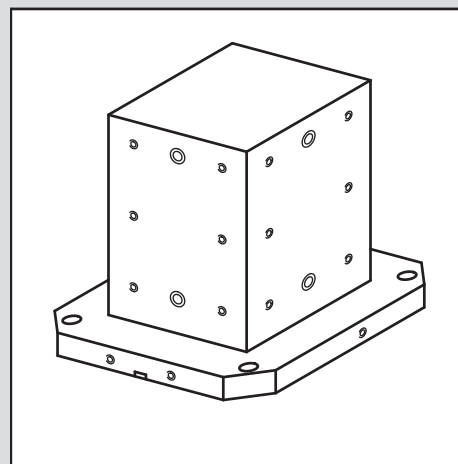
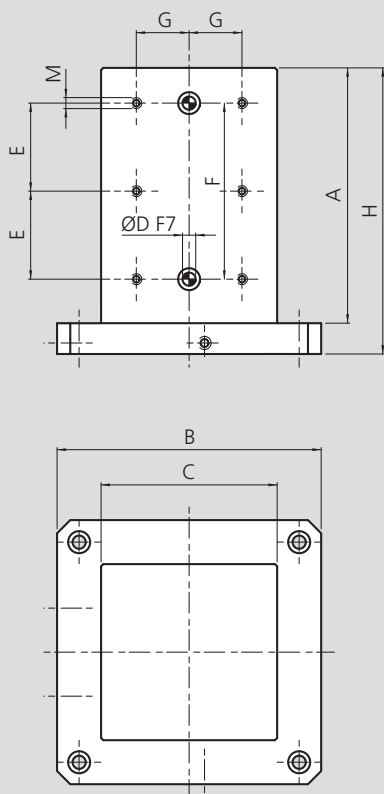
## Tombstones square – CAST IRON

Raw Id. No.	Milled Id. No.	A [mm]	B [mm]	C [mm]	H [mm]	Weight [kg]
57406036	57406035	615	400	250	660	208
57406056	57406055	655	500	350	700	329
57406091	57406090	810	630	450	860	607
57406121	57406120	945	800	550	1000	808

Special sizes on request.

- Steel, aluminum or cast iron
- With grid bore holes for plates

Subject to technical changes.



### Tombstones square – STEEL

Id. No.	A [mm]	B [mm]	C [mm]	H [mm]	Ø D [mm]	M	E [mm]	F [mm]	G [mm]	Weight [kg]
57020015	415	300	160	455	12	M10	150	300	40	81
57020045	620	400	250	660	16	M12	250	500	75	205
57020065	660	500	350	700	16	M12	250	500	125	318
57020100	815	630	450	860	16	M12	350	700	175	524
57020130	945	800	550	1000	16	M12	400	800	225	795

### Tombstones square – ALUMINUM

Id. No.	A [mm]	B [mm]	C [mm]	H [mm]	Ø D [mm]	M	E [mm]	F [mm]	G [mm]	Weight [kg]
57312045	620	400	250	660	16	M12	250	500	75	80
57312065	660	500	350	700	16	M12	250	500	125	137
57312100	815	630	450	860	16	M12	350	700	175	253

### Tombstones square – CAST IRON

Id. No.	A [mm]	B [mm]	C [mm]	H [mm]	Ø D [mm]	M	E [mm]	F [mm]	G [mm]	Weight [kg]
57412045	615	400	250	660	16	M12	250	500	75	208
57412065	655	500	350	700	16	M12	250	500	125	329
57412100	810	630	450	860	16	M12	350	700	175	607
57412130	945	800	550	1000	16	M12	400	800	225	808

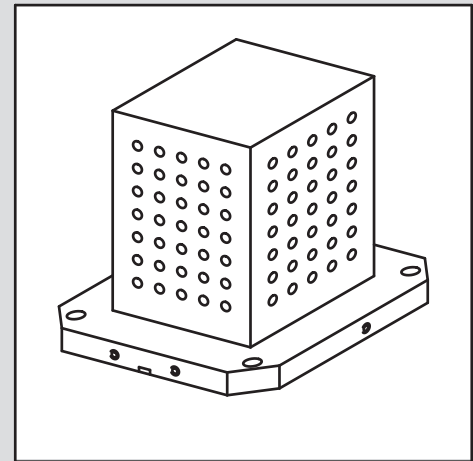
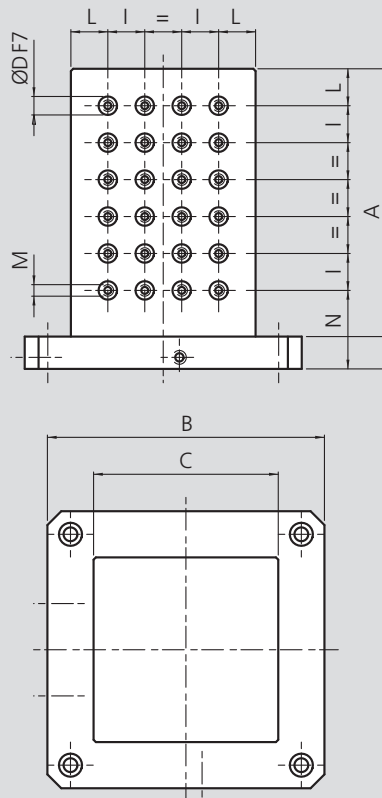
Special sizes on request.

## Tombstones square

RT

- Steel, aluminum or cast iron
- With grid bore holes for plates

Subject to technical changes.



### Tombstones square – STEEL

Id. No.	A [mm]	B [mm]	C [mm]	H [mm]	Ø D [mm]	M	I [mm]	L [mm]	N [mm]	Weight [kg]
57030015	415	300	160	455	12	M10	40	40	95	79
57030045	620	400	250	660	16	M12	50	50	110	198
57030065	660	500	350	700	16	M12	50	50	100	307
57030100	815	630	450	860	16	M12	50	50	110	506
57030130	945	800	550	1000	16	M12	50	50	100	768

### Tombstones square – ALUMINUM

Id. No.	A [mm]	B [mm]	C [mm]	H [mm]	Ø D [mm]	M	I [mm]	L [mm]	N [mm]	Weight [kg]
57313045	620	400	250	660	16	M12	50	50	110	78
57313065	660	500	350	700	16	M12	50	50	100	133
57313100	815	630	450	860	16	M12	50	50	110	246

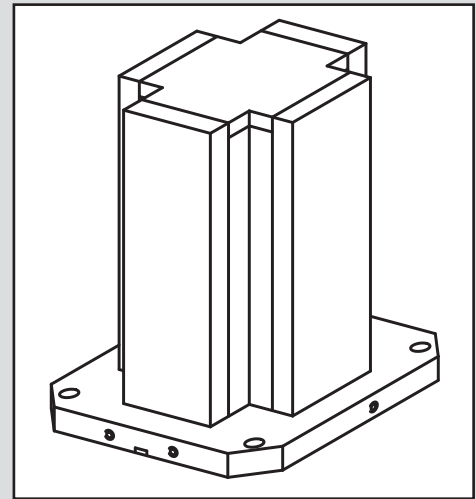
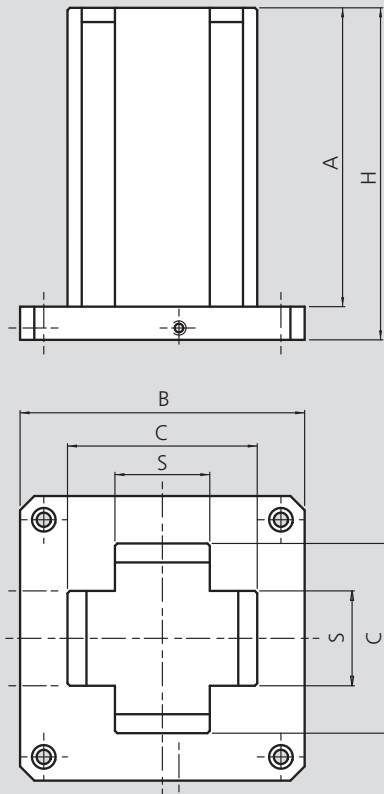
### Tombstones square – CAST IRON

Id. No.	A [mm]	B [mm]	C [mm]	H [mm]	Ø D [mm]	M	I [mm]	L [mm]	N [mm]	Weight [kg]
57413045	615	400	250	660	16	M12	50	50	110	208
57413065	655	500	350	700	16	M12	50	50	100	329
57413100	810	630	450	860	16	M12	50	50	110	522
57413130	945	800	550	1000	16	M12	50	50	100	808

Special sizes on request.

- Steel, aluminum
- Milled

Subject to technical changes.



**Tombstones cross – STEEL**

Id. No.	A [mm]	B [mm]	C [mm]	H [mm]	S [mm]	Weight [kg]
57061010	540	400	300	580	150	208
57061015	540	500	300	580	150	236
57061020	795	630	550	840	150	451
57061025	625	500	350	670	200	296
57061030	625	630	350	670	200	356
57061035	650	400	250	690	100	142
57061040	650	500	300	690	100	187

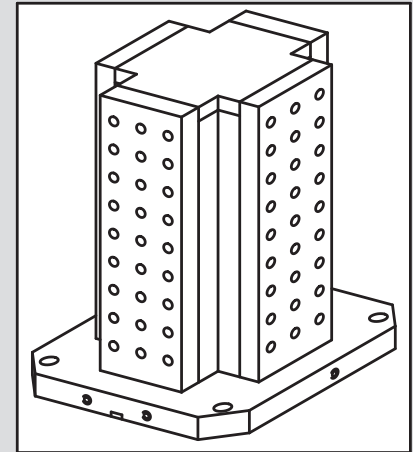
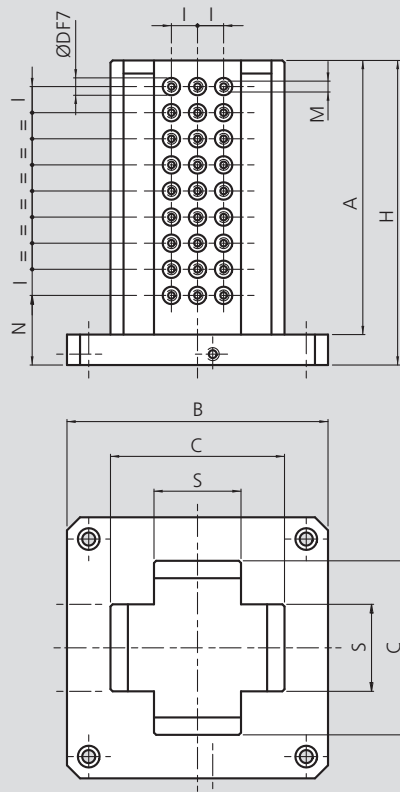
**Tombstones cross – ALUMINUM**

Id. No.	A [mm]	B [mm]	C [mm]	H [mm]	S [mm]	Weight [kg]
57316110	540	400	300	580	150	82
57316115	540	500	300	580	150	92
57316135	650	400	250	690	100	79
57316140	650	500	250	690	100	88

Special sizes on request.

- Steel, aluminum
- With grid bore holes for plates

Subject to technical changes.



**Tombstones cross – STEEL**

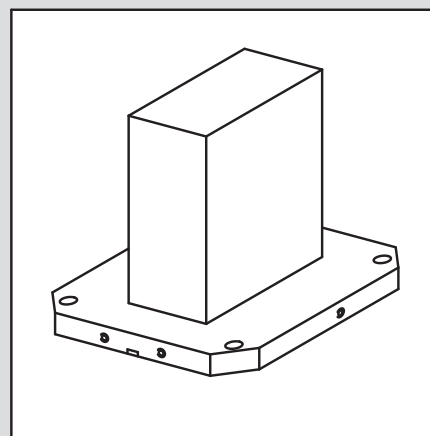
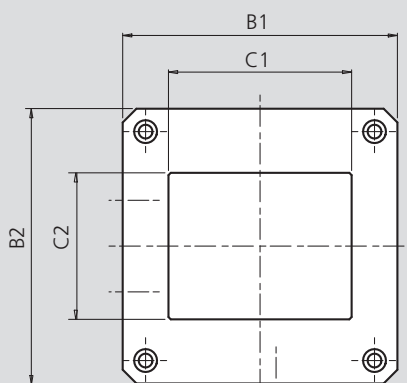
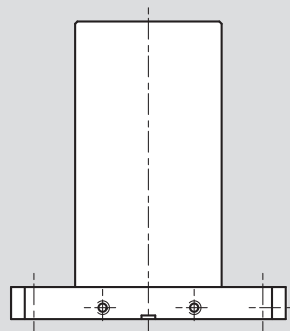
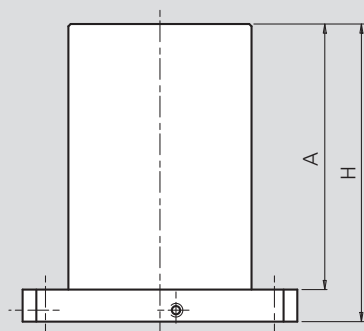
Id. No.	A [mm]	B [mm]	C [mm]	H [mm]	Ø D [mm]	M	I [mm]	N [mm]	S [mm]	Weight [kg]
57060010	540	400	300	580	16	M12	50	85	150	208
57060015	540	500	300	580	16	M12	50	85	150	236
57060020	795	630	550	840	16	M12	50	100	150	451
57060025	625	500	350	670	16	M12	50	120	200	296
57060030	625	630	350	670	16	M12	50	120	200	356

**Tombstones cross – ALUMINUM**

Id. No.	A [mm]	B [mm]	C [mm]	H [mm]	Ø D [mm]	M	I [mm]	N [mm]	S [mm]	Weight [kg]
57316010	540	400	300	580	16	M12	50	85	150	82
57316015	540	500	300	580	16	M12	50	85	150	92

Special sizes on request.





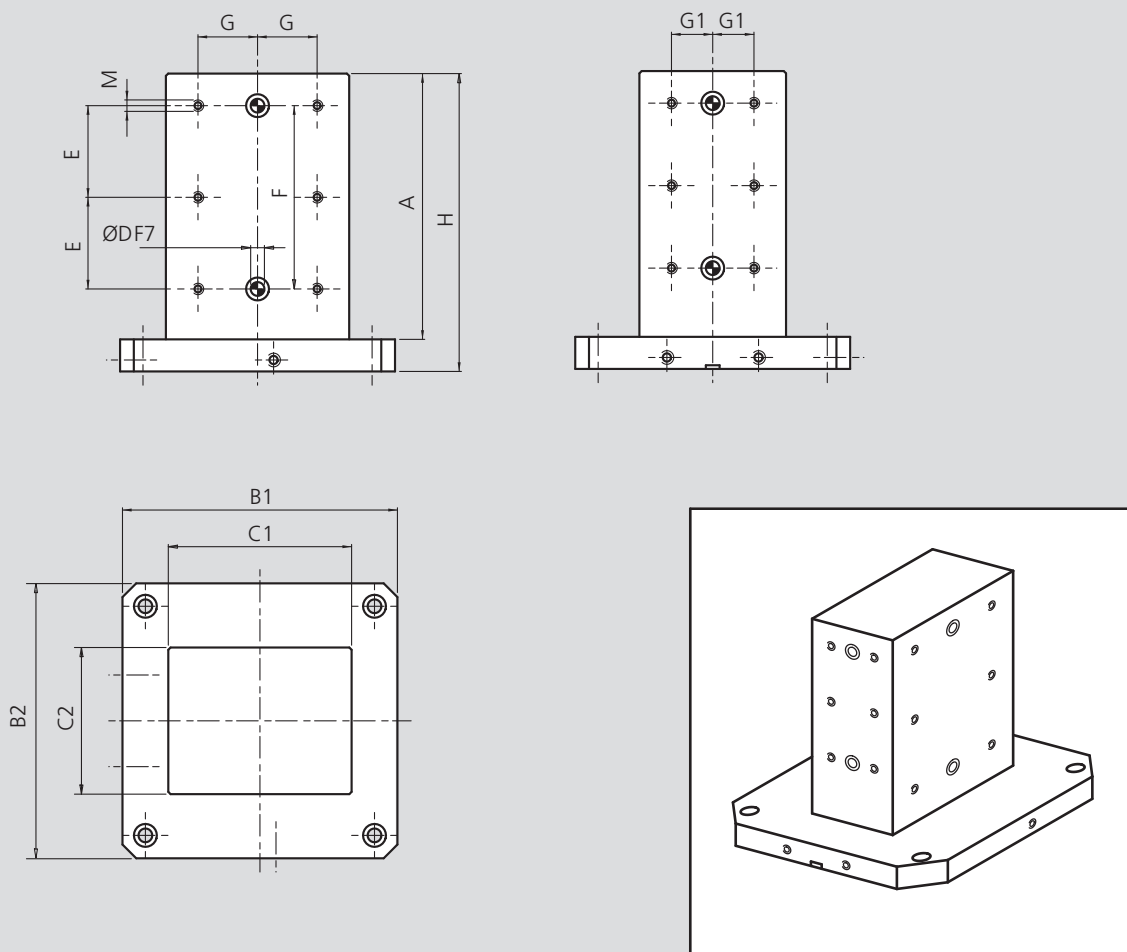
Tombstones rectangle cube – STEEL

Id. No.	A [mm]	B1 [mm]	B2 [mm]	C1 [mm]	C2 [mm]	H [mm]	Weight [kg]
57007005	615	500	400	350	250	655	250
57007010	615	500	500	350	250	655	265
57007025	615	630	500	450	350	660	367
57007030	615	630	630	450	350	660	395

Special sizes on request.

- Steel
- With grid bore hole for plates

Subject to technical changes.



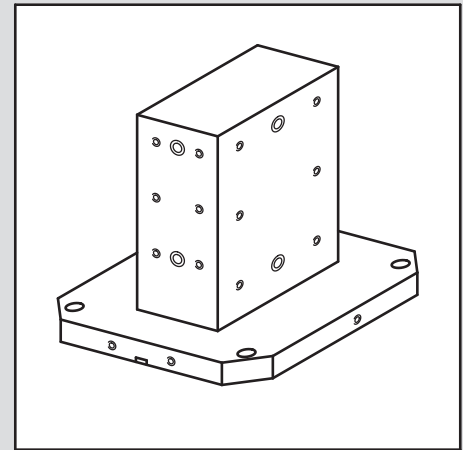
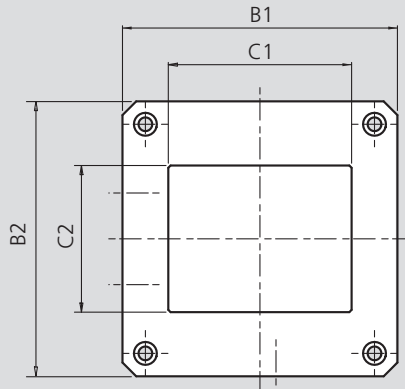
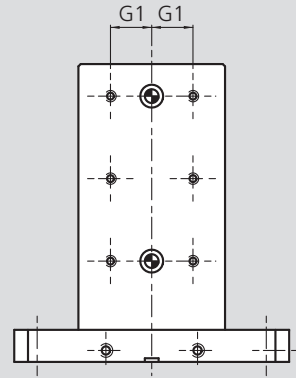
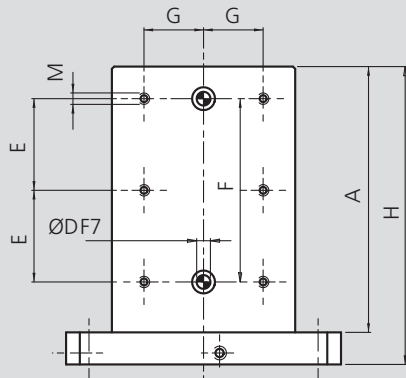
Tombstones rectangle cube – STEEL

Id. No.	A [mm]	B1 [mm]	B2 [mm]	C1 [mm]	C2 [mm]	H [mm]	Ø D [mm]	M	E [mm]	F [mm]	G [mm]	G1 [mm]	Weight [kg]
57070015	615	500	400	350	250	655	16	M12	250	500	125	75	250
57070020	615	500	500	350	250	655	16	M12	250	500	125	75	265
57070035	615	630	500	450	350	660	16	M12	250	500	175	125	367
57070040	615	630	630	450	350	660	16	M12	250	500	175	125	395

Special sizes on request.

- Steel
- With grid bore hole for plates

Subject to technical changes.



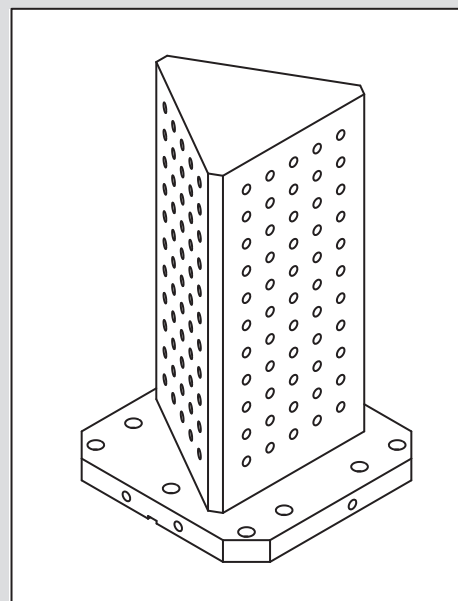
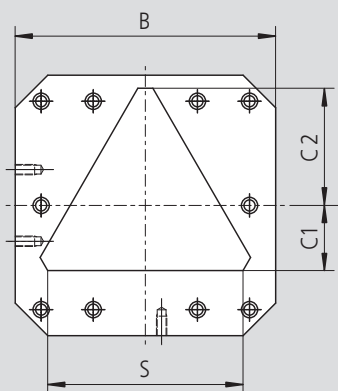
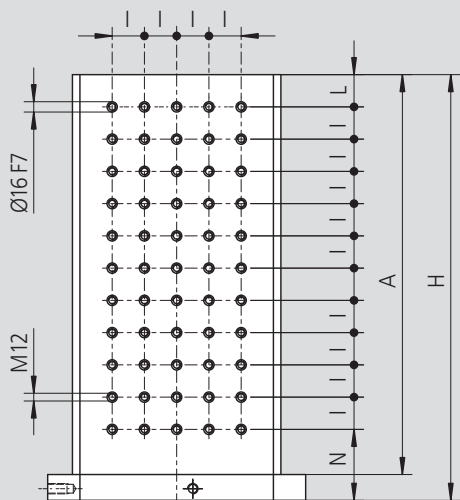
### Tombstones rectangle cube – STEEL

Id. No.	A [mm]	B1 [mm]	B2 [mm]	C1 [mm]	C2 [mm]	H [mm]	Ø D [mm]	M	E [mm]	F [mm]	G [mm]	G1 [mm]	Weight [kg]
57070015	615	500	400	350	250	655	16	M12	250	500	125	75	250
57070020	615	500	500	350	250	655	16	M12	250	500	125	75	265
57070035	615	630	500	450	350	660	16	M12	250	500	175	125	367
57070040	615	630	630	450	350	660	16	M12	250	500	175	125	395

Special sizes on request.

- Steel
- With grid bore holes

Subject to technical changes.



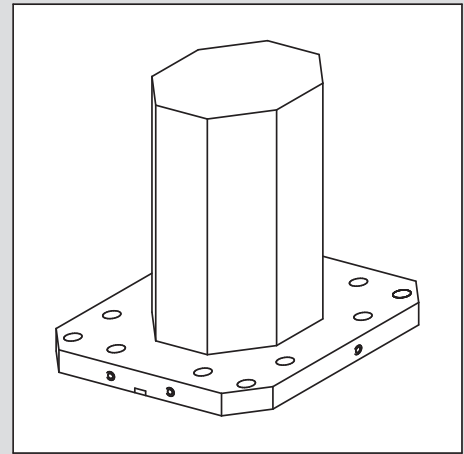
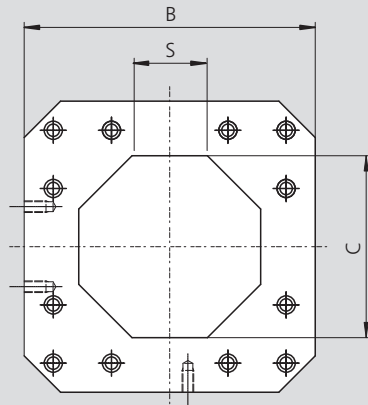
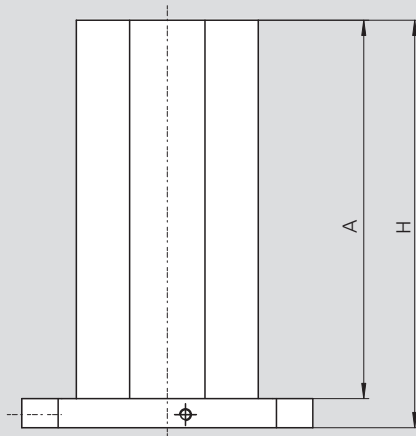
Tombstones triangle tower – STEEL

Id. No.	A [mm]	B [mm]	C1 [mm]	C2 [mm]	H [mm]	I [mm]	L [mm]	N [mm]	S [mm]	Weight [kg]
57171010	620	400	100	180	660	50	50	110	300	200
57171020	620	500	100	180	660	50	50	110	300	227

Special sizes on request.

- Steel or aluminum
- Milled

Subject to technical changes.



**Tombstones octagon tower – STEEL**

Id. No.	A [mm]	B [mm]	C [mm]	H [mm]	S [mm]	Weight [kg]
57004000	650	400	250	690	100	185
57004010	650	500	250	690	100	213
57004020	650	630	380	690	155	351

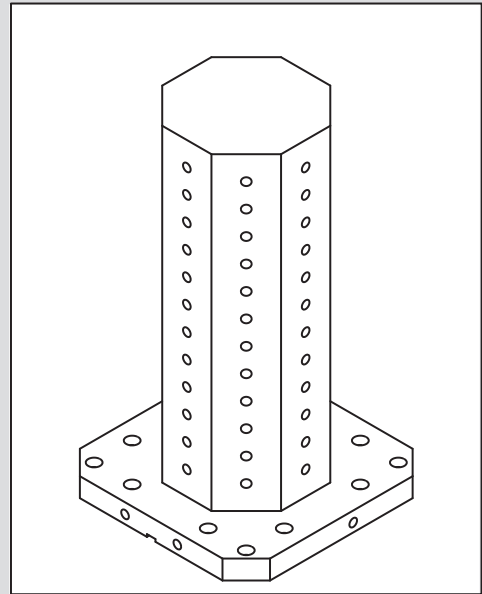
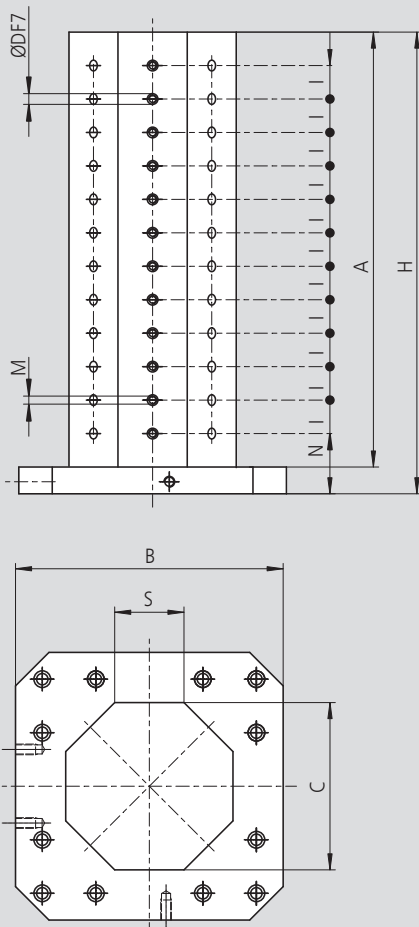
**Tombstones octagon tower – ALUMINUM**

Id. No.	A [mm]	B [mm]	C [mm]	H [mm]	S [mm]	Weight [kg]
57304000	650	400	250	690	100	79
57304010	650	500	250	690	100	88
57304020	650	630	380	690	155	138

Special sizes on request.

- Steel and aluminum
- With grid bore holes

Subject to technical changes.



## Tombstones octagon tower – STEEL

Id. No.	A [mm]	B [mm]	C [mm]	H [mm]	$\varnothing D$ [mm]	M	I [mm]	N [mm]	S [mm]	Weight [kg]
57173010	650	400	250	690	16	M12	50	90	100	181
57173020	650	500	250	690	16	M12	50	90	100	209
57173030	650	630	380	690	16	M12	50	90	155	339

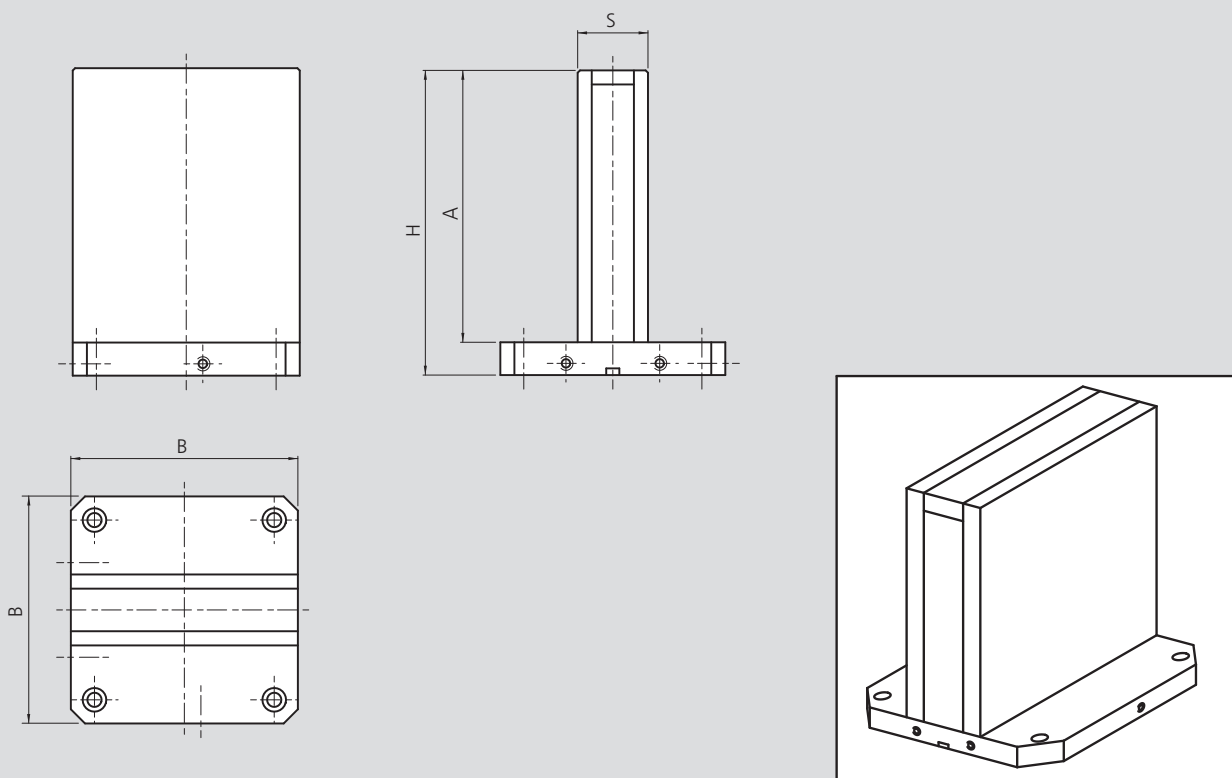
## Tombstones octagon tower – ALUMINUM

Id. No.	A [mm]	B [mm]	C [mm]	H [mm]	$\varnothing D$ [mm]	M	I [mm]	N [mm]	S [mm]	Weight [kg]
57336010	650	400	250	690	16	M12	50	90	100	78
57336020	650	500	250	690	16	M12	50	90	100	87
57336030	650	630	380	690	16	M12	50	90	155	136

Special sizes on request.

- Steel, aluminum or cast iron
- Raw or milled

Subject to technical changes.



### Crankweb – STEEL

Raw Id. No.	Milled Id. No.	A [mm]	B [mm]	H [mm]	S [mm]	Weight [kg]
57009026	57009025	620	400	660	150	212
57009046	57009045	660	500	700	150	287
57009066	57009065	815	630	860	200	482
57009091	57009090	945	800	1000	260	810

### Crankweb – ALUMINUM

Id. No.	A [mm]	B [mm]	H [mm]	S [mm]	Weight [kg]
57309025	620	400	660	150	77
57309045	660	500	700	150	103
57309065	815	630	860	200	172

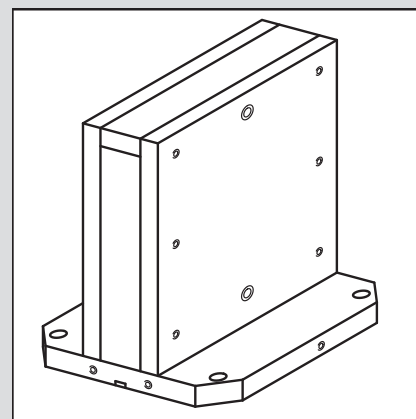
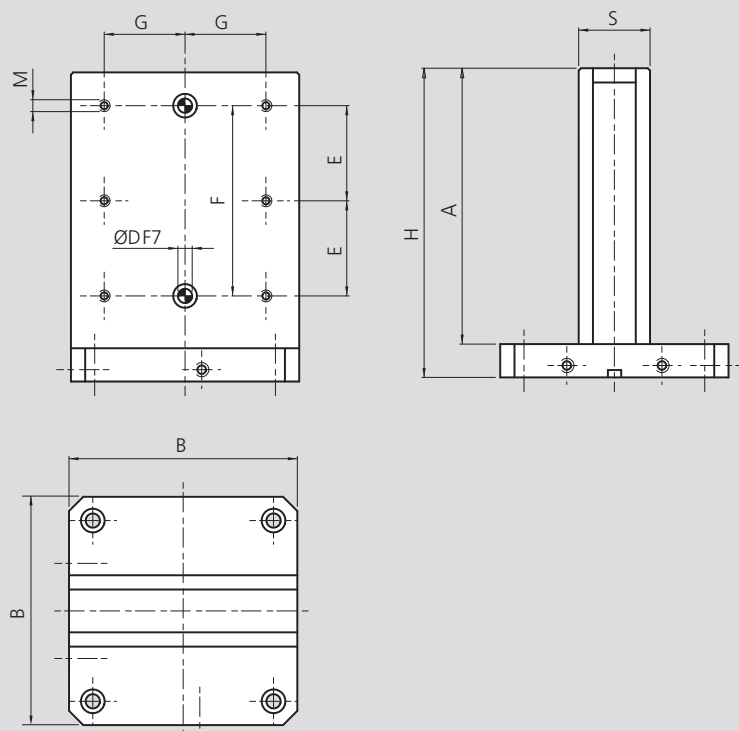
### Crankweb – CAST IRON

Raw Id. No.	Milled Id. No.	A [mm]	B [mm]	H [mm]	S [mm]	Weight [kg]
57409026	57409025	615	400	660	150	185
57409046	57409045	655	500	700	150	247
57409066	57409065	810	630	860	200	448
57409091	57409090	945	800	1000	300	810

Special sizes on request.

- Steel, aluminum or cast iron
- For plates

Subject to technical changes.



## Crankweb – STEEL

Id. No.	A [mm]	B [mm]	H [mm]	Ø D [mm]	M	E [mm]	F [mm]	G [mm]	S [mm]	Weight [kg]
57041035	620	400	660	16	M12	250	500	150	150	212
57041055	660	500	700	16	M12	250	500	200	150	287
57041075	815	630	860	16	M12	350	700	250	200	482
57041100	945	800	1000	16	M12	100	800	350	260	810

## Crankweb – ALUMINUM

Id. No.	A [mm]	B [mm]	H [mm]	Ø D [mm]	M	E [mm]	F [mm]	G [mm]	S [mm]	Weight [kg]
57328035	620	400	660	16	M12	250	500	150	150	77
57328055	660	500	700	16	M12	250	500	200	150	103
57328075	815	630	860	16	M12	350	700	250	200	180

## Crankweb – CAST IRON

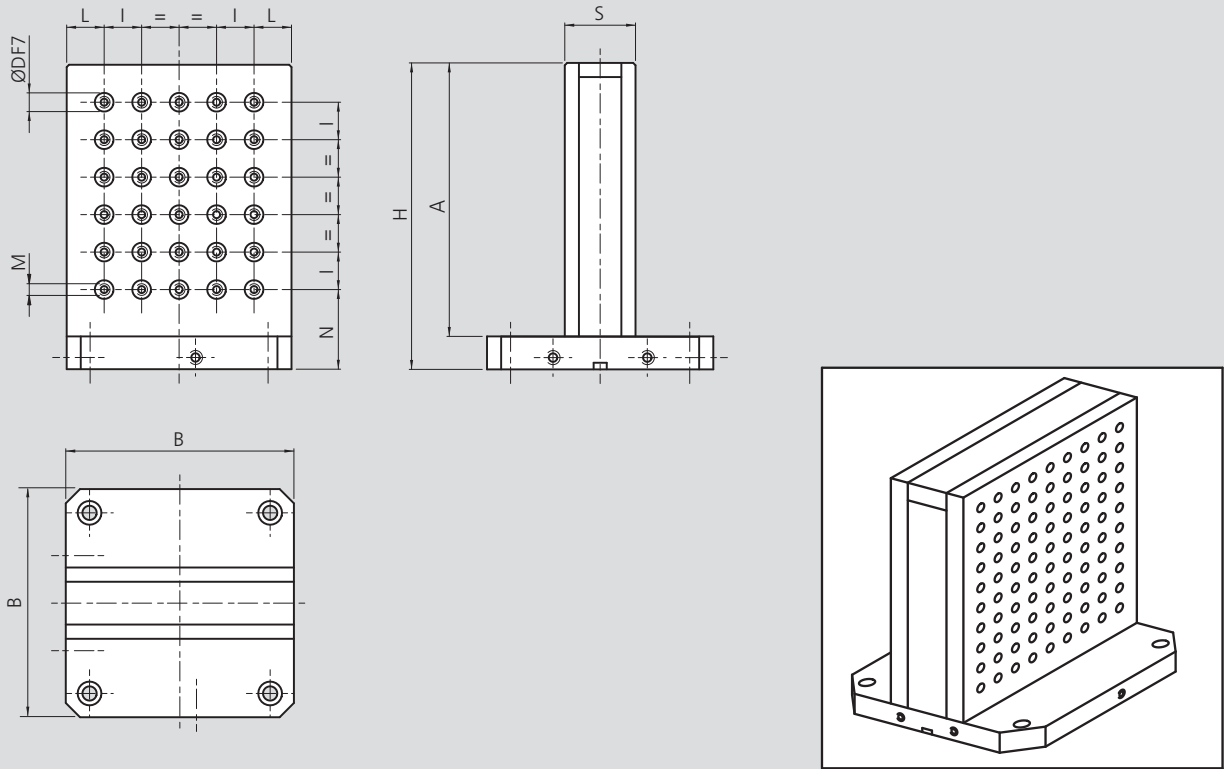
Id. No.	A [mm]	B [mm]	H [mm]	Ø D [mm]	M	E [mm]	F [mm]	G [mm]	S [mm]	Weight [kg]
57428035	615	400	660	16	M12	250	500	150	150	185
57428055	655	500	700	16	M12	250	500	200	150	247
57428075	810	630	860	16	M12	350	700	250	200	448
57428100	945	800	1000	16	M12	400	800	350	300	810

Special sizes on request.



- Steel, aluminum or cast iron
- With grid bore holes

Subject to technical changes.



**Crankweb – STEEL**

Id. No.	A [mm]	B [mm]	H [mm]	Ø D [mm]	M	I [mm]	L [mm]	N [mm]	S [mm]	Weight [kg]
57040035	620	400	660	16	M12	50	50	110	150	206
57040055	660	500	700	16	M12	50	50	100	150	279
57040075	815	630	860	16	M12	50	40	110	200	468
57040100	945	800	1000	16	M12	50	50	100	260	787

**Crankweb – ALUMINUM**

Id. No.	A [mm]	B [mm]	H [mm]	Ø D [mm]	M	I [mm]	L [mm]	N [mm]	S [mm]	Weight [kg]
57314035	620	400	660	16	M12	50	50	110	150	74
57314055	660	500	700	16	M12	50	50	100	150	100
57314075	815	630	860	16	M12	50	40	110	200	170

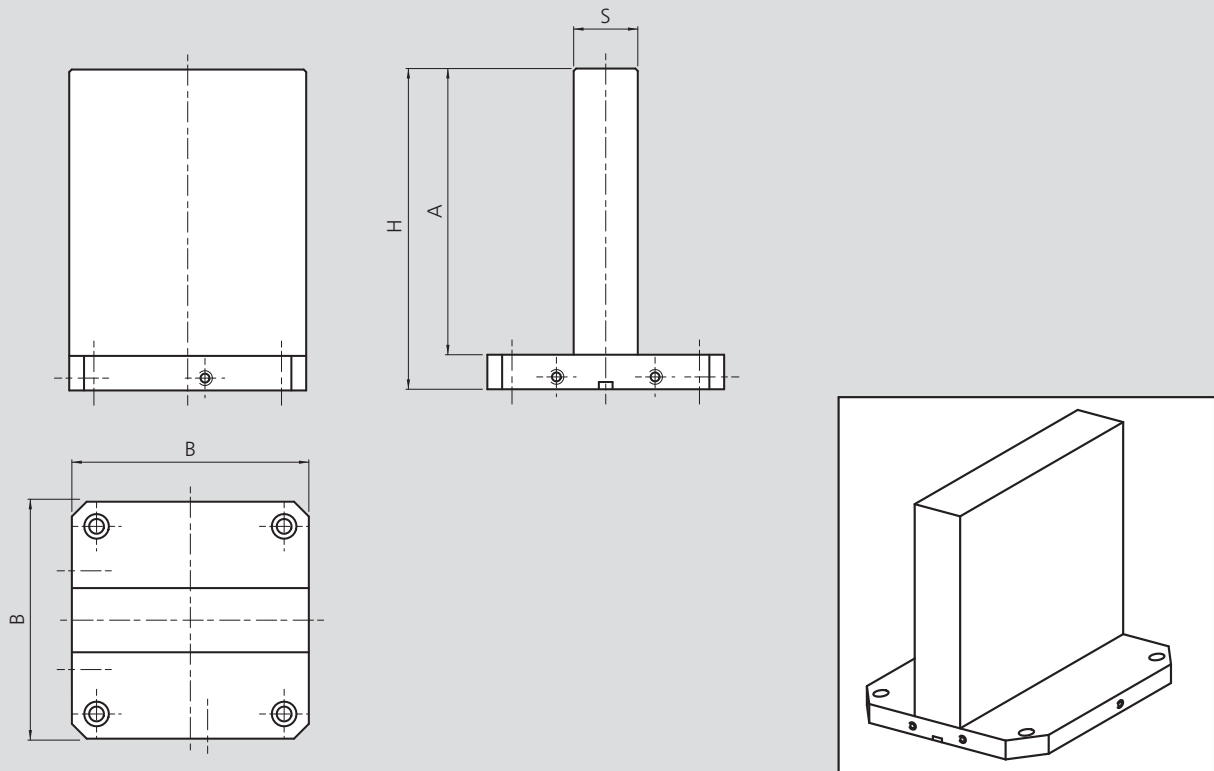
**Crankweb – CAST IRON**

Id. No.	A [mm]	B [mm]	H [mm]	Ø D [mm]	M	I [mm]	L [mm]	N [mm]	S [mm]	Weight [kg]
57414035	615	400	660	16	M12	50	50	110	150	180
57414055	655	500	700	16	M12	50	50	100	150	240
57414075	810	630	860	16	M12	50	40	110	200	440
57414100	945	800	1000	16	M12	50	50	100	300	790

Special sizes on request.

- Steel and aluminum
- Made of full metal

Subject to technical changes.



## Crankweb – STEEL

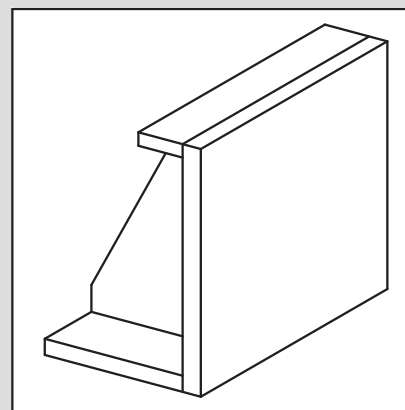
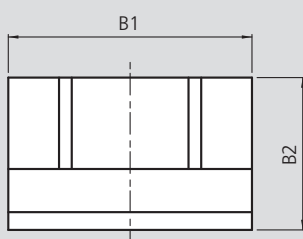
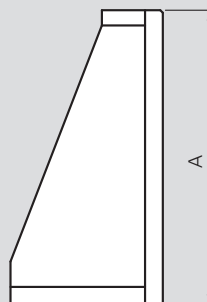
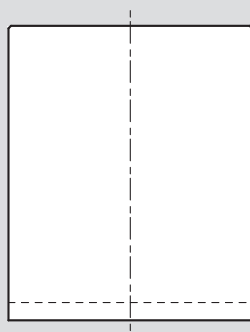
Id. No.	A [mm]	B [mm]	H [mm]	S [mm]	Weight [kg]
57008030	370	320	410	80	107
57008040	480	400	520	100	201
57008050	580	500	620	100	306

## Crankweb – ALUMINUM

Id. No.	A [mm]	B [mm]	H [mm]	S [mm]	Weight [kg]
57308020	270	250	310	80	23

Special sizes on request.

- Steel
- Milled



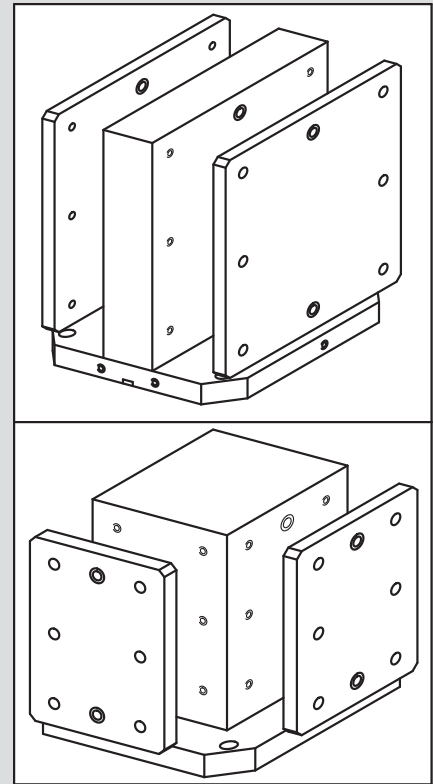
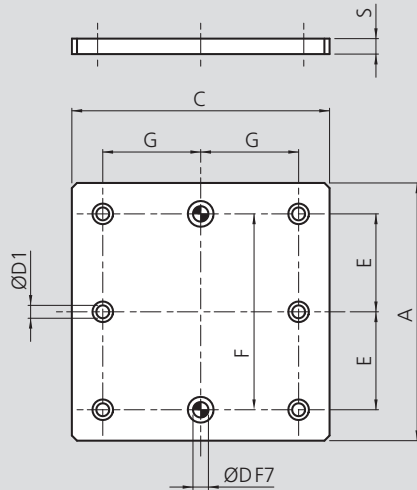
Subject to technical changes.

## Angle plates – STEEL

Id. No.	A [mm]	B1 [mm]	B2 [mm]	Weight [kg]
57005030	360	320	230	66
57005040	460	400	330	130
57005050	510	400	330	139
57005060	510	500	330	182
57005070	560	500	330	196
57005080	560	630	430	305
57005090	660	630	430	343

Special sizes on request.

## ■ Steel grinded



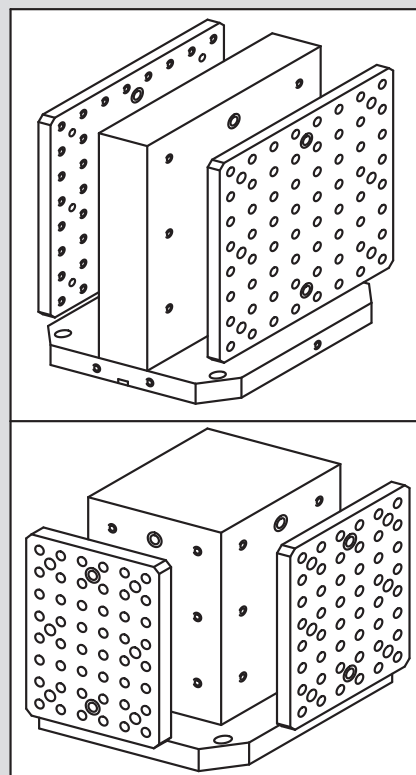
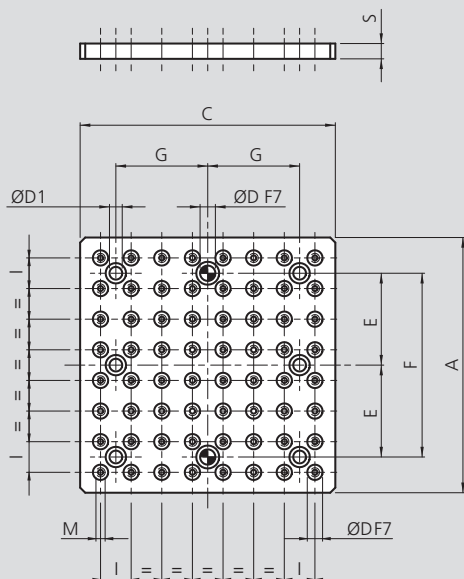
Subject to technical changes.

## Plates – STEEL

Id. No.	C [mm]	A [mm]	Ø D [mm]	Ø D1 [mm]	E [mm]	F [mm]	G [mm]	S [mm]	Weight [kg]
57120025	160	400	12	11	150	300	40	20	10
57120090	250	600	16	13	250	500	75	25	29
57120130	350	600	16	13	250	500	125	25	41
57120155	400	600	16	13	250	500	150	25	47
57120175	450	800	16	13	350	700	175	25	70.5
57120195	500	600	16	13	250	500	200	25	58.5
57120210	550	800	16	13	350	700	225	25	86
57120235	630	800	16	13	350	700	250	25	98.5
57120250	800	800	16	13	350	700	350	30	149

Special sizes on request.

- Steel grinded
- With grid bore holes



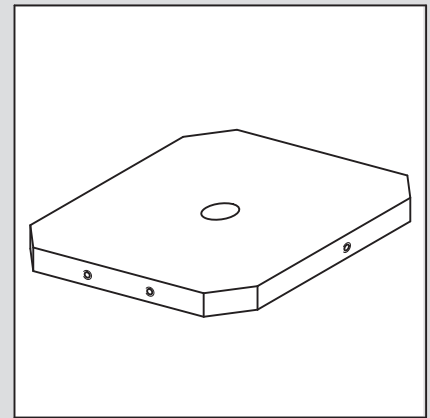
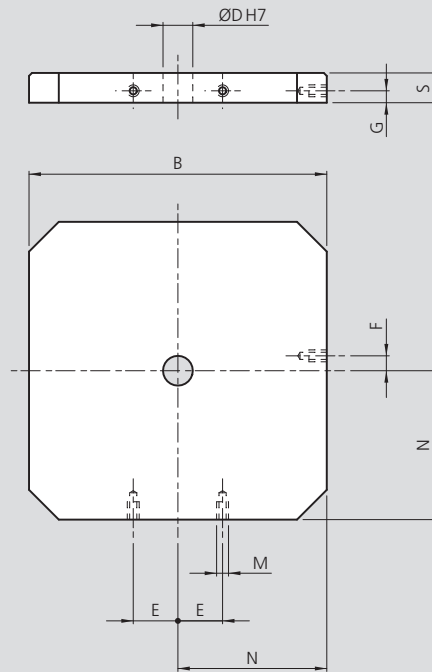
Subject to technical changes.

**Grid plate – STEEL**

Id. No.	C [mm]	A [mm]	Ø D [mm]	Ø D1 [mm]	M	E [mm]	F [mm]	G [mm]	I [mm]	S [mm]	Weight [kg]
57050025	160	400	12	11	M10	150	300	40	40	30	15
57050090	250	600	16	13	M12	250	500	75	50	35	39
57050130	350	600	16	13	M12	250	500	125	50	35	55
57050155	400	600	16	13	M12	250	500	150	50	35	63
57050175	450	800	16	13	M12	350	700	175	50	35	95
57050195	500	600	16	13	M12	250	500	200	50	35	78
57050210	550	800	16	13	M12	350	700	225	50	35	114
57050235	630	800	16	13	M12	350	700	250	50	35	131
57050250	800	800	16	13	M12	350	700	350	50	35	166

Special sizes on request.

- Steel grinded
- Without grid bore holes



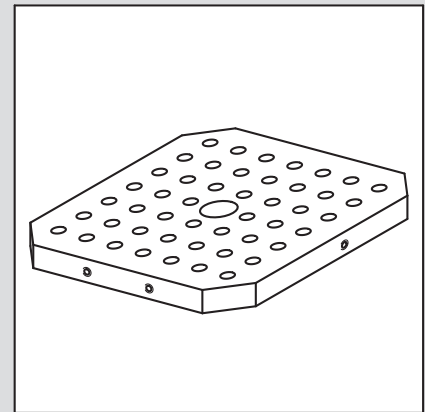
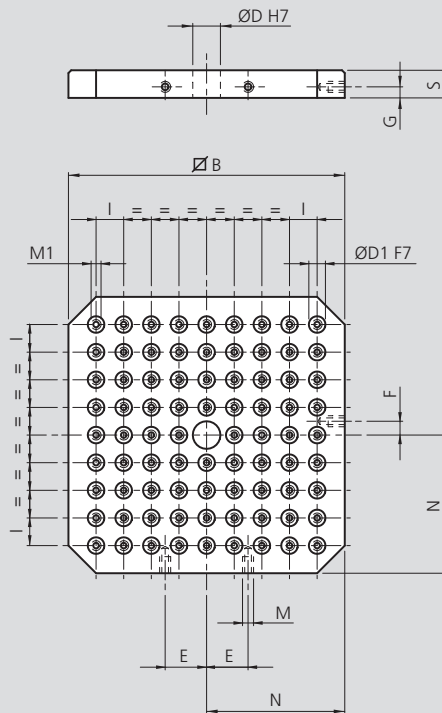
Subject to technical changes.

## Subplates – STEEL

Id. No.	B [mm]	Ø D [mm]	M	N [mm]	E [mm]	F [mm]	G [mm]	S [mm]	Weight [kg]
57130010	320	30	-	160	-	-	-	40	30
57130020	400	50	M16	200	55	25	18	40	48
57130030	450	50	-	225	-	-	-	40	61
57130040	500	50	M16	250	75	25	18	40	76
57130050	550	50	-	275	-	-	-	40	93
57130060	630	50	M16	315	100	25	18	40	121

Special sizes on request.

- Steel grinded
- With grid bore holes



Subject to technical changes.

### Grid plate – STEEL

Id. No.	B [mm]	$\varnothing D$ [mm]	M	E [mm]	F [mm]	G [mm]	$\varnothing D1$ [mm]	M1	I [mm]	N [mm]	S [mm]	Weight [kg]
57140010	320	30	-	-	-	-	16	M12	50	160	40	29
57140020	400	50	M16	55	25	18	16	M12	50	200	40	47
57140030	450	50	-	-	-	-	16	M12	50	225	40	59
57140040	500	50	M16	75	25	18	16	M12	50	250	40	74
57140050	550	50	-	-	-	-	16	M12	50	275	40	90
57140060	630	50	M16	100	25	18	16	M12	50	315	40	117

Special sizes on request.