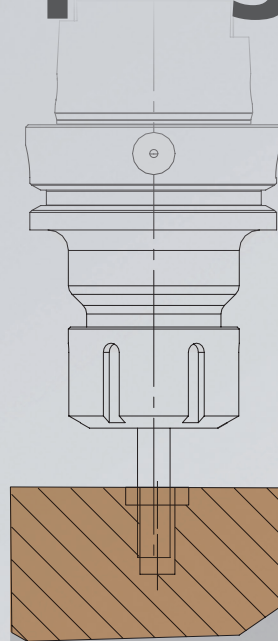


# TTi-2G

## NC High clamping vise

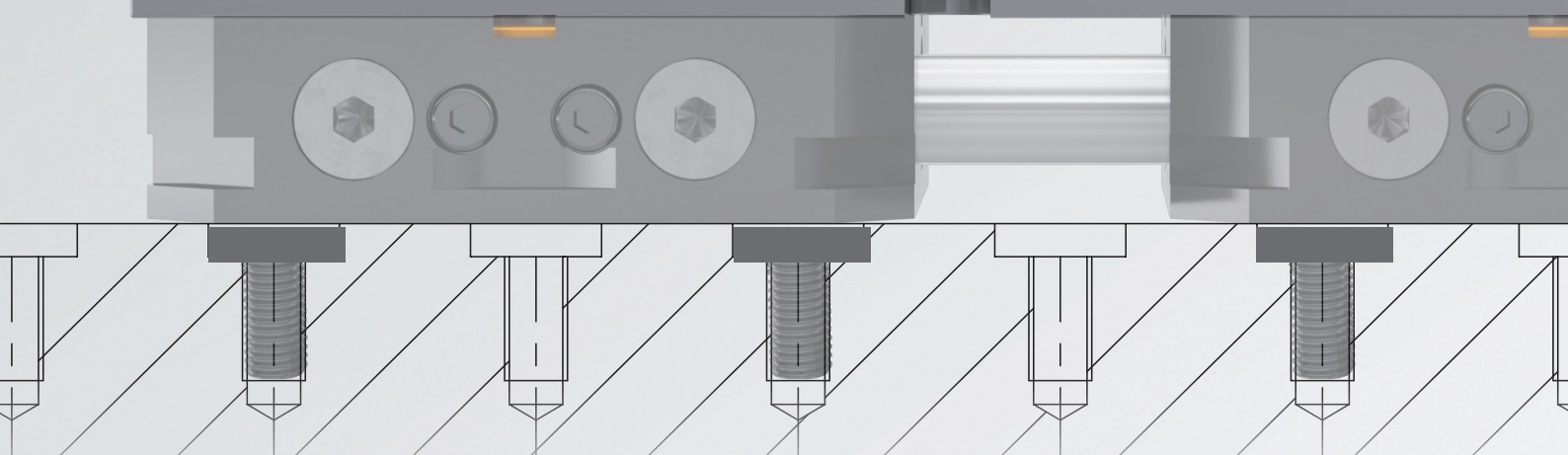
### Parallels with quick change system

Mounting of parallel bars without tools and  
No penetration of chips under the strips

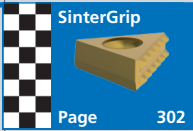


 **TTi-2G**

- 0 = direkt
- 1 = 10 kN
- 2 = 20 kN
- 3 = 30 kN
- 4 = 40 kN



## SinterGrip

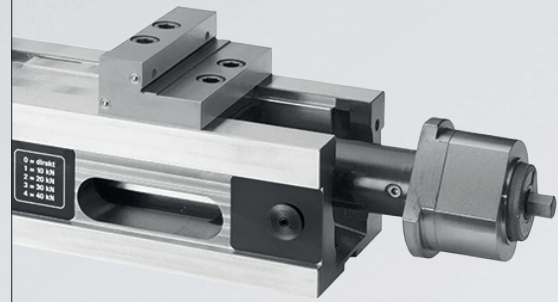


Page 302



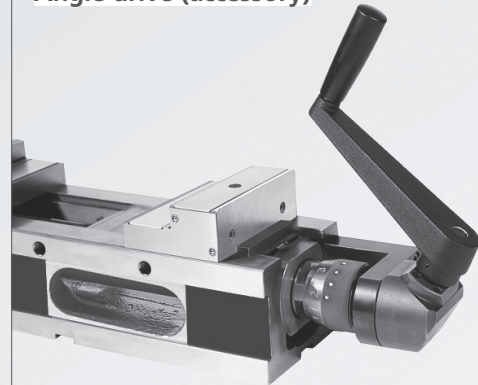
Jaws for SinterGrip clamping inserts as accessories for OP 10 machining available

## Quick change system of the spindle unit



- Removal of the spindle unit without tools
- Therefore easy and quick cleaning
- Fastening possible through the base body

## Angle drive (accessory)

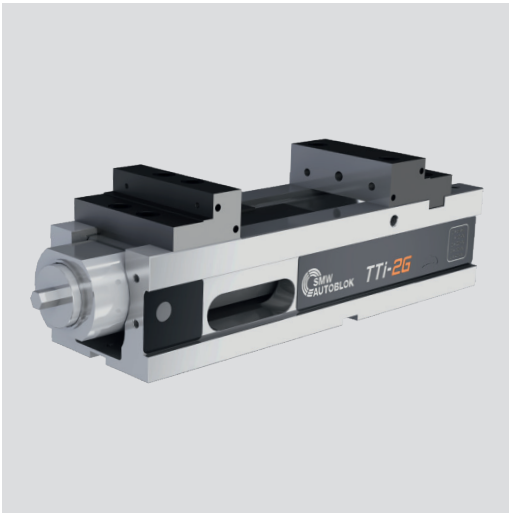


- Easy use on the machine table
- Best accessibility for the setting of the clamping force

## Protected spindle with

- power transmitter
- Exact pre-select of the clamping force (up to 11 steps)
- Constant clamping force for maximum process reliability

- With precision power transmitter
- Clamping against fixed jaw



### Application/customer benefits

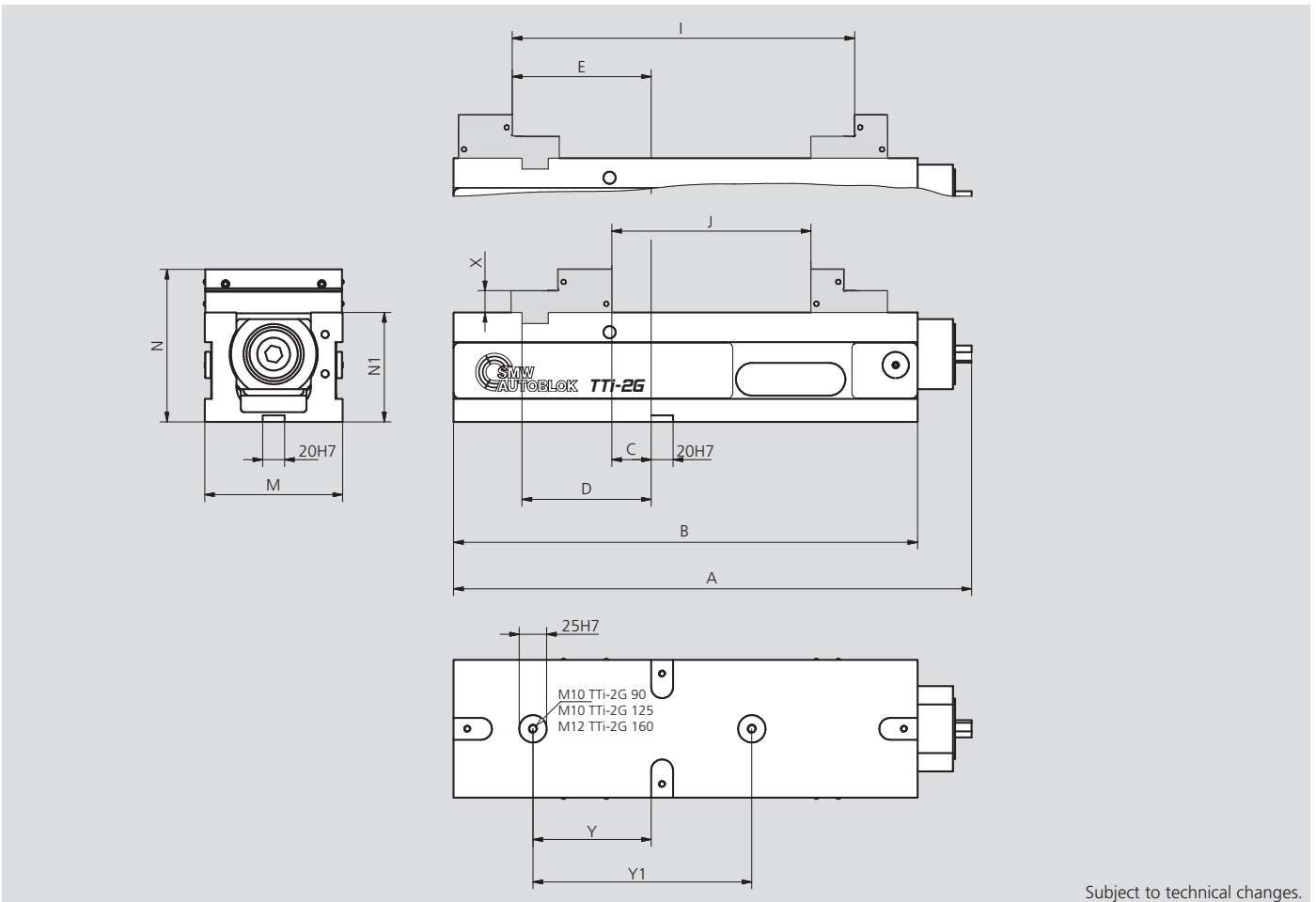
- NC clamping vise with precision power transmitter for high clamping forces
- Maintenance-free encapsulated spindle
- Accurate and highest repeatability of the clamping process
- Easy and quick cleaning possibility
- Maximum flexibility due to the huge range of accessories
- Clamping force pre-adjustment (up to 11 clamping steps)
- Standardized jaw interface (Allmatic compatible)
- Parallels with quick change

### Technical features

- High clamping forces (up to 60 kN)
- 3 different sizes
- Precision guideway hardened and ground
- Interface for zero point clamping systems APS / WPS / ZeroAct as a standard

### Standard equipment

TTi-2G clamping vise together with hand crank and stepped top jaws, 4 pieces of clamps for fixing



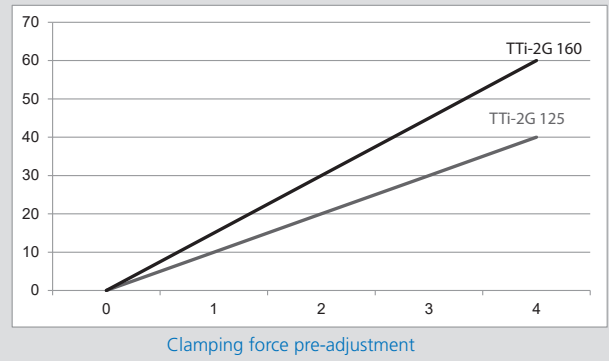
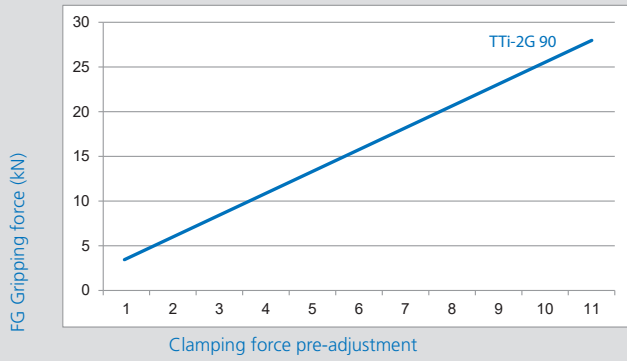
Subject to technical changes.

### Order review

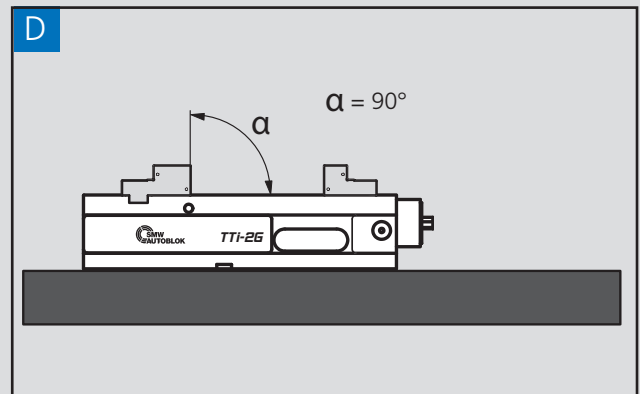
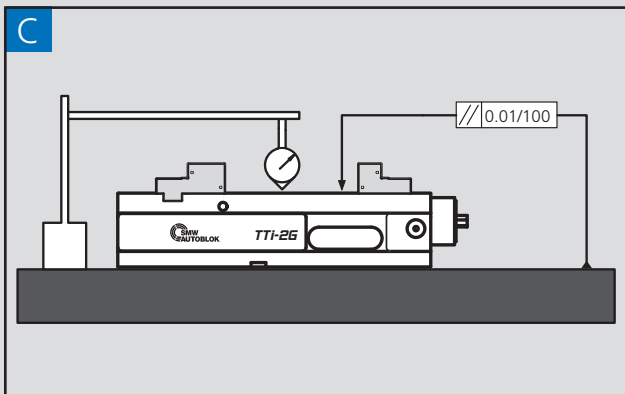
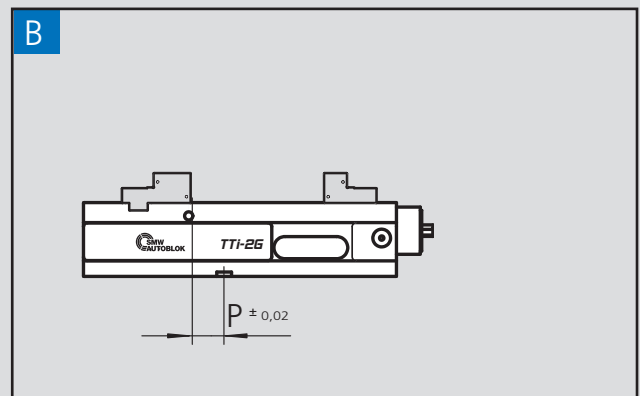
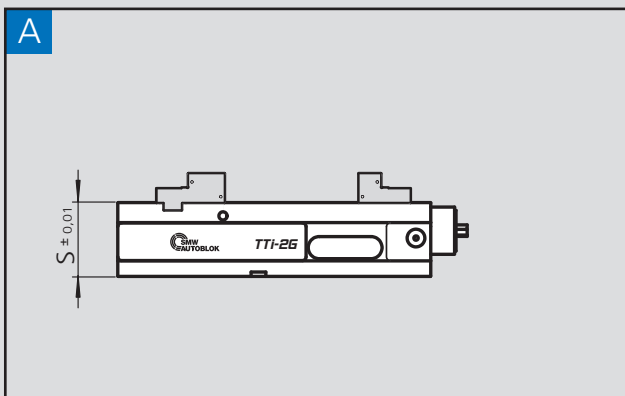
Type	Id. No.	A [mm]	B [mm]	C [mm]	D [mm]	E [mm]	J [mm]	I [mm]	M [mm]	N [mm]	N1 [mm]	X [mm]	Y [mm]	Y1 [mm]	Clamping force [kN]	Weight [kg]
TTi-2G 90	462734	340	305	15	73	75	0-126	91-217	90	114	80	16	58	200	28	15
TTi-2G 125	462735	483	424	36	118	127	0-185	131-313	126	139.5	100	20	108	200	40	35
TTi-2G 160	462736	616	560	70	164	178	17-263	187-433	164	164.8	115	25	114	300	60	60

- With precision power transmitter
- Clamping against fixed jaw

Clamping force diagram

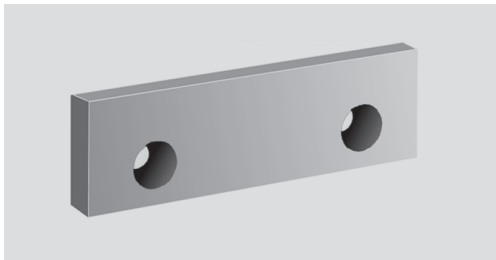


Form, position and dimensional tolerances for all NC clamping vises TTI-2G



- Accessories
- Jaw sets

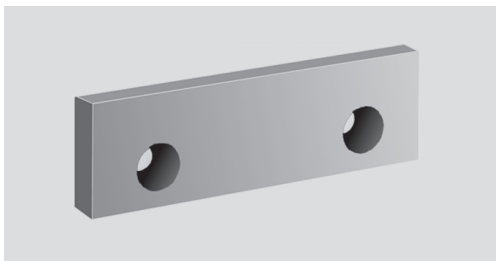
### Smooth clamping jaw hardened and grinded



Type	Id. No.	Height [mm]	Depth [mm]
TTi-2G 90	462738	34	10
TTi-2G 125	462739	39.2	12
TTi-2G 160	462740	49.2	16

**Consisting of:**  
1 piece clamping jaw

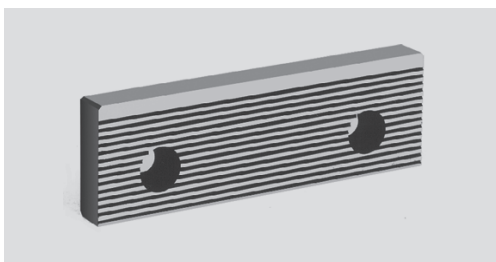
### Smooth clamping jaw soft (Material 1.2842)



Type	Id. No.	Height [mm]	Depth [mm]
TTi-2G 90	462741	34	12
TTi-2G 125	462742	39.2	12
TTi-2G 160	462743	49.2	16

**Consisting of:**  
1 piece clamping jaw

### Clamping jaw with transverse rib



Type	Id. No.	Height [mm]	Depth [mm]
TTi-2G 90	462744	34	10
TTi-2G 125	462745	39.2	12
TTi-2G 160	462746	49.2	16

**Consisting of:**  
1 piece clamping jaw

### Level bar with quick change fixing



Type	Id. No.	Height [mm]	Depth [mm]
TTi-2G 90	462747	13	3
TTi-2G 90	462748	22	3
TTi-2G 125	462749	39	3
TTi-2G 125	462750	35	3
TTi-2G 125	462751	15	3
TTi-2G 160	462752	14	3
TTi-2G 160	462753	30	3
TTi-2G 160	462754	44	3

**Consisting of:**  
1 piece level bar

### SinterGrip clamping jaw



Type	Id. No.	Qty. SinterGrip per jaw	Height [mm]	Depth [mm]
TTi-2G 125	462755	9	39.5	12
TTi-2G 160	462756	11	49.8	12

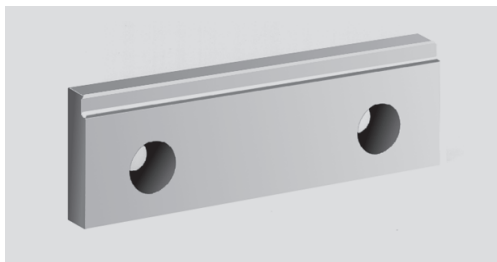
**Consisting of:**  
1 set = 2 pieces; SinterGrip clamping jaw (without clamping inserts)





- Accessories
- Jaws

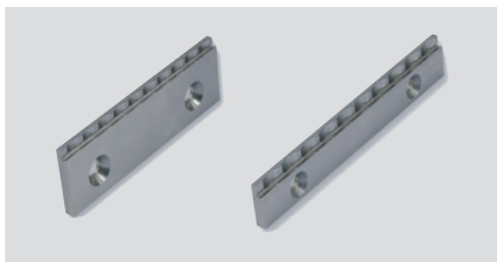
### Smooth clamping jaw hardened and grinded



Type	Id. No.	Step [mm]	Height [mm]	Depth [mm]
TTi-2G 125	462757	3 x 6	39.2	12
TTi-2G 125	462758	5 x 10	39.2	12
TTi-2G 160	462759	5 x 8	49.2	16

**Consisting of:**  
1 piece clamping jaw

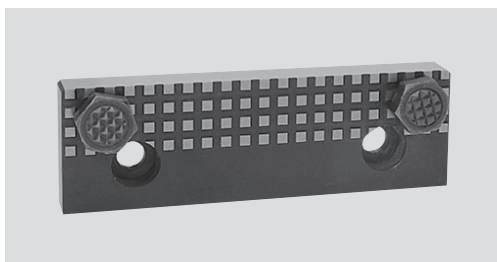
### Grip bar suitable for smooth clamping jaws TTi-2G 125



Type	Id. No.	Model	Height [mm]	Step [mm]
TTi-2G 125	462760	High	39.5	1.4 x 4.5
TTi-2G 125	462761	Step	19.5	2 x 4.5

**Consisting of:**  
2 pieces grip bar (1 set)

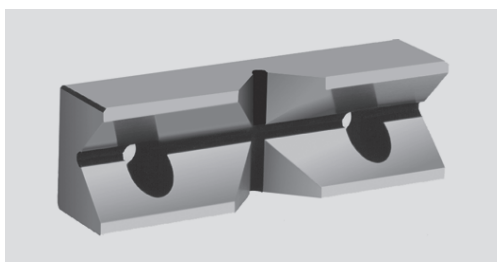
### Clamping jaw with fluting



Type	Id. No.	Height [mm]	Depth [mm]	Thread	Id. No. Grippers
TTi-2G 90	462762	34	12	M10	462696
TTi-2G 125	462763	40	12	M10	462696
TTi-2G 160	462764	50	16	M12	462697

**Consisting of:**  
1 piece clamping jaw

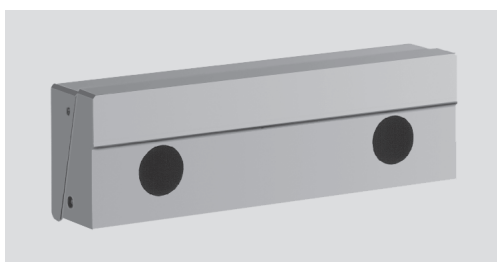
### Prismatic jaw horizontal and vertical prisma 90°, hardened and grinded



Type	Id. No.	Height [mm]	Depth [mm]	Clamping width in mm	
				1 jaw	2 jaws
TTi-2G 90	462765	36	17	Ø 12-14	Ø 18-42
TTi-2G 125	462766	39.2	28	Ø 15-42	Ø 24-42
TTi-2G 160	462767	49.2	32	Ø 18-50	Ø 28-50

**Consisting of:**  
1 piece clamping jaw

### Pull-down jaw with interchangeable insert

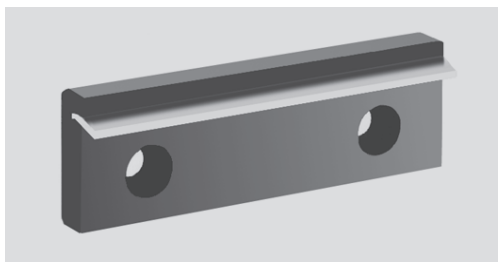


Type	Id. No.	Height [mm]	Depth [mm]
TTi-2G 90	462768	34	24
TTi-2G 125	462769	39.2	25
TTi-2G 160	462770	49.2	28

**Consisting of:**  
1 piece clamping jaw

### ■ Jaws

#### Pull-down jaw for raw parts with spring blade

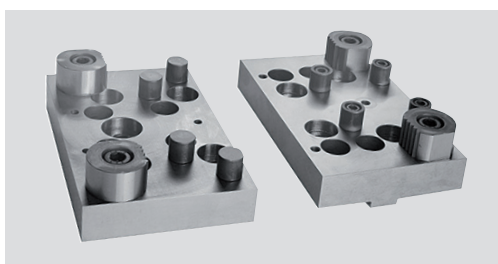


Type	Id. No.	Height [mm]	Depth [mm]
TTi-2G 90	462771	34	18
TTi-2G 125	462772	40	21
TTi-2G 160	462773	50	24

**Consisting of:**

1 piece clamping jaw

#### Multi-jaw for grip inserts, pendulum jaws and workstop elements

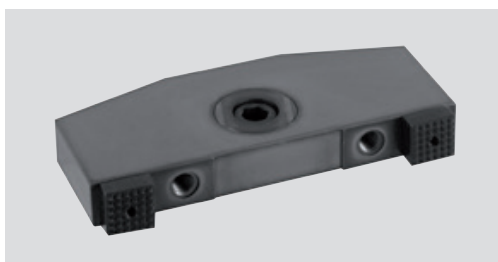


Type	Id. No. Fix jaw	Id. No. Mobil jaw	Id. No. Gripper	Width [mm]	Length [mm]	Height [mm]
TTi-2G 90	462774	462786	462789	90	145	25
TTi-2G 125	462775	462787	462789	105	170	25
TTi-2G 160	462776	462788	462790	115	200	25

**Consisting of:**

1 piece clamping jaw

#### Pendulum jaw suitable for multi-jaw (moveable jaw)



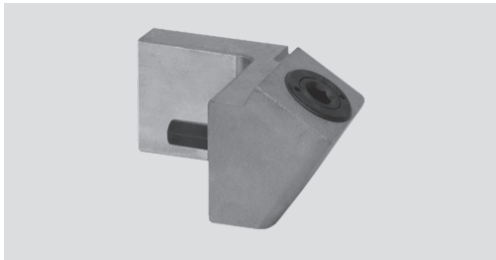
Type	Id. No.	Width [mm]	Length [mm]	Height [mm]
TTi-2G 90	462777	50	141	20
TTi-2G 125	462778	65	156	20
TTi-2G 160	462779	76	196	23

**Consisting of:**

1 piece clamping jaw

■ Accessories

Angle drive for TTi-2G NC clamping vises



Type	Id. No.	Length [mm]	SW
TTi-2G 90	462780	12	SW 12
TTi-2G 125	462781	33	SW 14
TTi-2G 160	462782	49	SW 14

**Consisting of:**  
1 piece angle drive

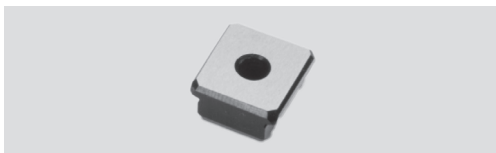
Hand crank standard version for TTi-2G NC clamping vises



Type	Id. No.	Length [mm]	SW
TTi-2G 90	462783	160	SW 12
TTi-2G 125	462784	160	SW 14
TTi-2G 160	462785	160	SW 14

**Consisting of:**  
1 piece hand crank

T-nuts with screws



**Consisting of:**  
1 t-nut incl. screw

Type	Id. No.					
	20x12 mm	20x14 mm	20x16 mm	20x18 mm	20x20 mm	20x22 mm
TTi-2G	465118	465119	465120	465121	465122	465123