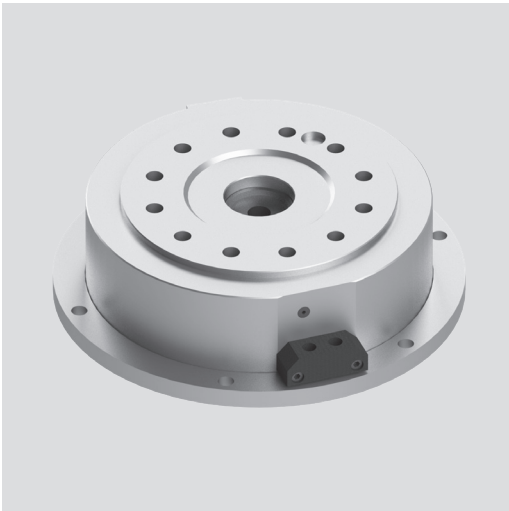


- Can be equipped with different types of chucks
- With stroke control



Application/customer benefits

- Gripping of components on vertical or horizontal machining centers

Technical features

- Standard pneumatic cylinder can be equipped with various type of chucks:
 - 2 / 3 / 4 jaws versions depending on chuck model and diameter
 - Standard or sealed, depending on applied chuck
 - Master jaw with serration or Tongue & Groove available
 - Normal or long stroke depending on chuck model and diameter
- Continuous air pressure required
- Optional SAB safety valve to hold pressure during pallet transfer

Remark: The clamping unit consists of static cylinder + connection kit + chuck to be selected.

For chuck details, please see the technical data of the selected chuck.

Standard equipment

Static cylinder
the connection kit must be added,
see the table on next page

Ordering example

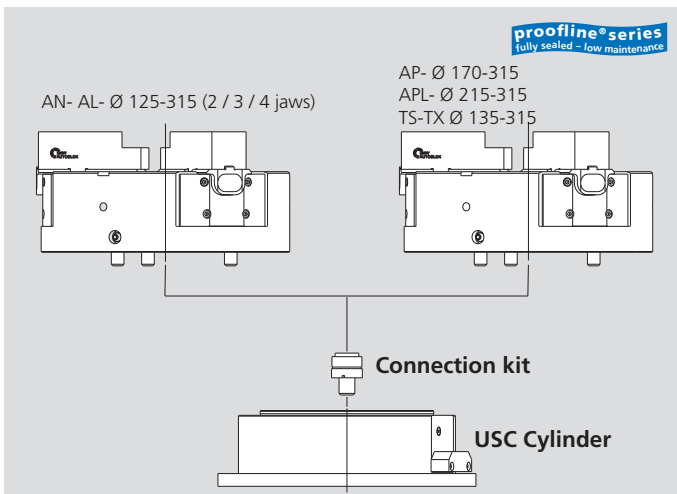
Please see the below table for part numbers and part descriptions

Accessories

Valve SAB1 Id. No. 27581610 for USC 140/170

Valve SAB2 Id. No. 27581620 for USC 210/260

Mounting brackets

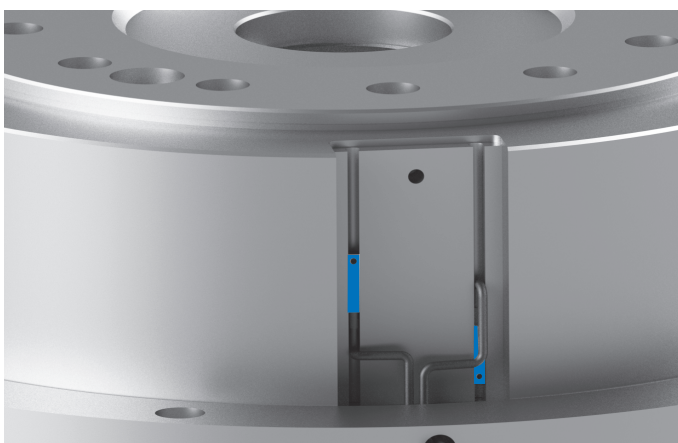


- **USC-AN** = cylinder equipped with a 2 / 3 jaw chuck type AN-(normal stroke). Chuck until to Ø 315 mm
- **USC-AL** = cylinder equipped with a 2 / 3 jaw chuck type AL-(long stroke). Chuck until to Ø 315 mm
- **USC-TS** = cylinder equipped with a 2 / 3 jaw chuck type TS-. Chuck from Ø 135 to 315 mm
- **USC-TX** = cylinder equipped with a 3 jaw chuck. Chuck from Ø 170 to 315 mm
- **USC-AP** = cylinder equipped with a 3 jaw chuck type AP-(normal stroke). Chuck until to Ø 315 mm
- **USC-APL** = cylinder equipped with a 3 jaw chuck type APL-(long stroke). Chuck Ø 170 to 315 mm

Stroke control

The stroke control system consists of two built in magnets and two external sensors (Id.-Nr. 71834910) reading the axial position of the cylinder piston and consequently of chuck jaws mounted on it.

The stroke control gives the following signals: „chuck fully open“, „chuck fully closed“ or „part clamped“ positions.



Technical data

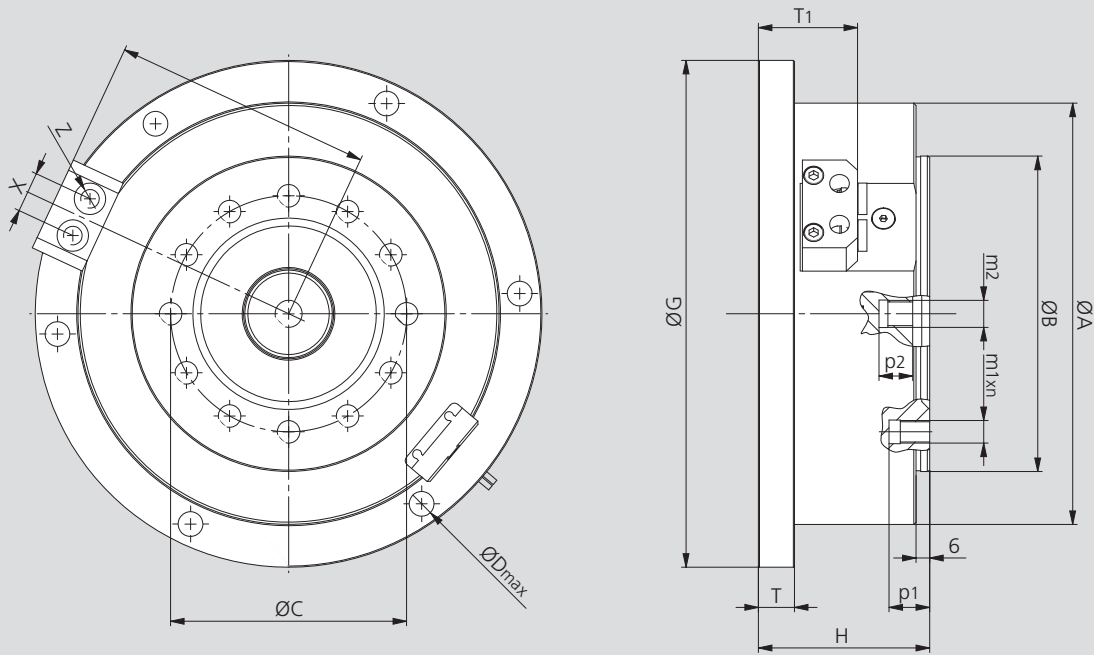
SMW-AUTOBLOK Type Id. No.		USC 140 97501407	USC 170 97501702	USC 210 97502106	USC 260 97502601
Piston area-chuck (open)	cm ²	133	189	269	434
Piston area-chuck (closed)	cm ²	126	176	249	409
Max. operating pressure	bar	7	7	7	7
Piston stroke	mm	17	22	26	31
Pushforce at 6 bar	kN	8	11	16	26
Pullforce at 6 bar	kN	7.5	10.5	15	24.5
Cylinder unit mass	kg	3.3	5	7	12.5

Stationary cylinder + chuck unit Ø 140 - 260 mm

- Can be equipped with different types of chucks
- With stroke control

USC

Pneumatic static cylinder



Subject to technical changes.
For more detailed information please ask our customer service.

SMW-AUTOBLOK Type Id. No.		USC 140 97501407	USC 170 97501702	USC 210 97502106	USC 260 97502601
A	mm	162	187	217	275
B	mm	115	140	170	220
C	mm	82.6	104.8	133.4	171.4
D	mm	11	11	11	13
G	mm	200	225	255	327
H	mm	61.5	76	83	95
Q	mm	98	110.5	129.5	158.5
T	mm	16	16	16	16
T1	mm	38.5	40,5	43,5	43,5
X	mm	18	18	22	22
Z	inch	1/8"	1/8"	1/4"	1/4"
m1	mm	M10	M10	M12	M16
m2	mm	M10	M12	M16	M20
n	mm	12x	12x	12x	12x
p1	mm	14	18	19	23
p2	mm	18	15	21	25

Ordering review connection kit

Size	125 AN-AL	135 TS	165 AN-AL	170 AP	170 TS/TX	210 AN-AL	210 TS-TX	215 AP-APL	250 AN-AL	250 TS-TX	260 AP-APL	315 AN-AL	315 TS-TX	315 AP-APL
USC 140	75511410	75511470	-	-	-	-	-	-	-	-	-	-	-	-
USC 170	-	-	75511760	75511760	75511770	-	-	-	-	-	-	-	-	-
USC 210	-	-	-	-	-	75512110	75512170	75512160	-	-	-	-	-	-
USC 260	-	-	-	-	-	-	-	-	75512610	75512670	75512660	75512620	75512670	75512660

- If the cylinder operates an AN / AL chuck (with 2 / 3 / 4 jaws and various jaw types), the chuck must be ordered separately.
- If the cylinder operates an AP / APL chuck (only 3 jaws available and various jaw types), the chuck must be ordered separately.
- If the cylinder operates a TS / TX chuck (only 3 jaws available and various jaw types), the chuck must be ordered separately.
- For technical information on the chucks, please see the specific catalogue page. (more information at general catalog turning).
- For the chucks Id. Numbers, please see our price lists or ask a quotation to your nearest SMW-AUTOBLOK office.

JAWS-CATALOG

Request or
download:
www.smw-autoblok.de

