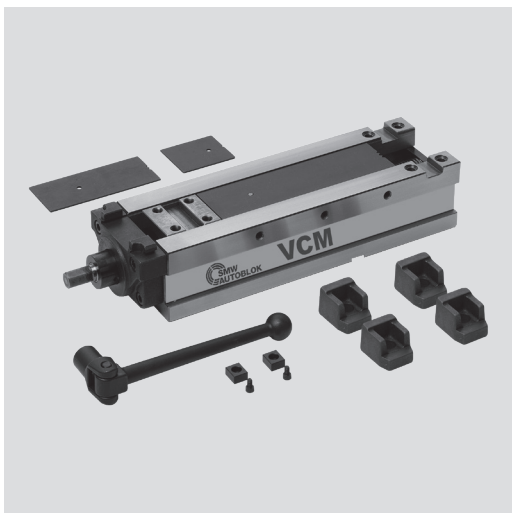


■ Clamping against fixed jaw



Application/customer benefits

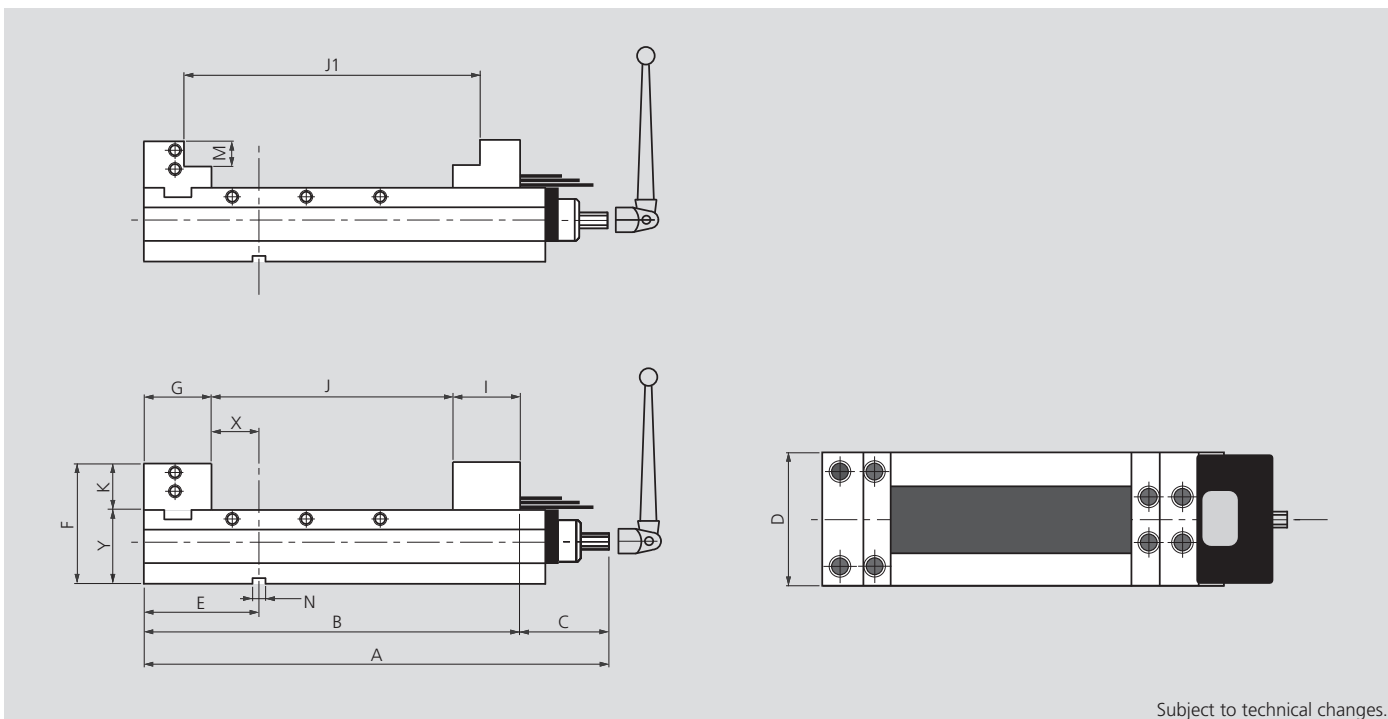
- Accurate and highest repeatability of the clamping process
- Easy and quick cleaning possibility
- Maximum flexibility due to the huge range of accessories

Technical features

- High clamping forces (up to 54 kN)

Standard equipment

VCM clamping vise together with hand crank, protection cover, fitting T-nuts with screws and 4 pieces of claw for fixing



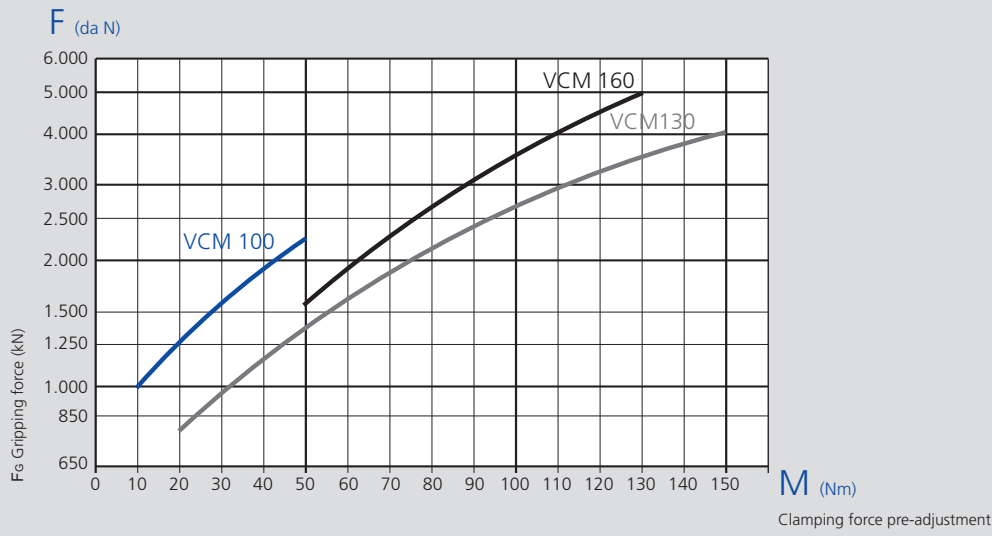
Subject to technical changes.

Order review

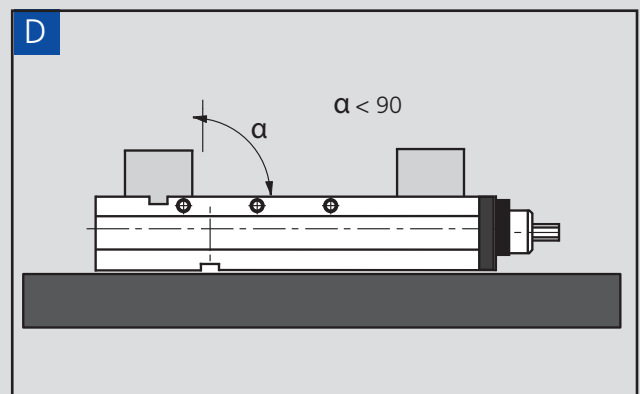
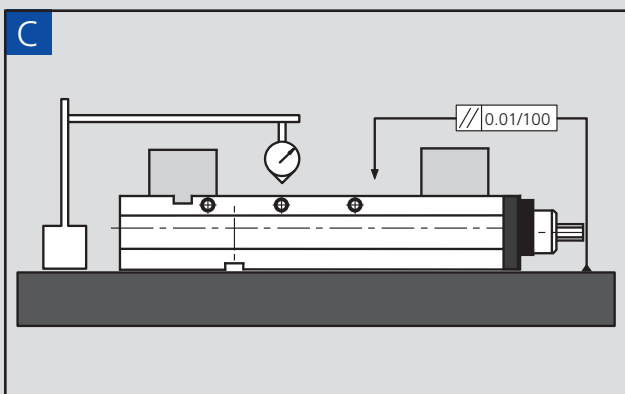
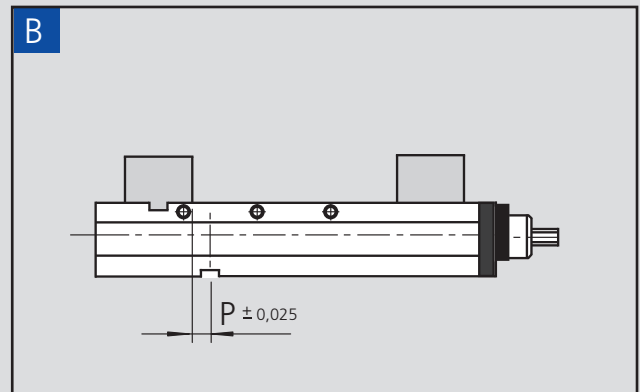
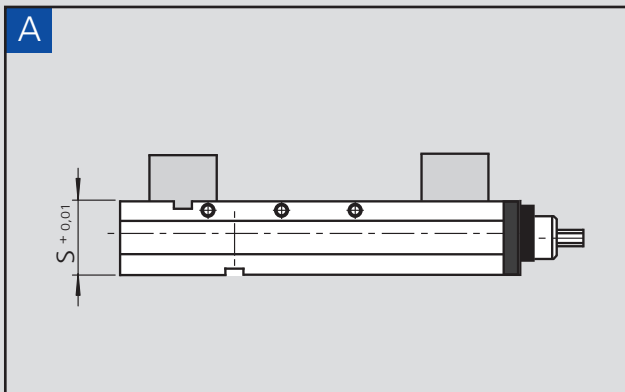
Type	Id. No.	A [mm]	B [mm]	C [mm]	D [mm]	E [mm]	F [mm]	G [mm]	J [mm]	J1 [mm]	I [mm]	K [mm]	M [mm]	N [mm]	X [mm]	Y [mm]	Clamp. force [kN]	Weight [kg]
VCM 100	77589060	398	300		101	124	130	78	155	213	64	45	25		45	85	20	22
VCM 130	77589160	508	410	98	131	149	147	83	250	315	74	52	30	18	65	95	40	40
VCM 160	77589260	573	475		161	152	160	86	300	370	86	55	30		65	105	50	62

■ Clamping against fixed jaw

Clamping force diagram

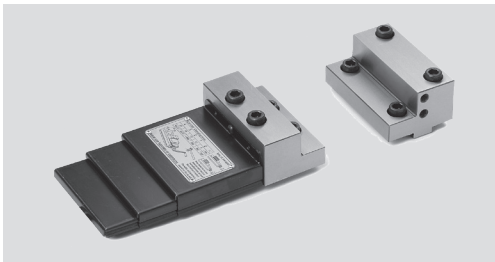


Form, position and dimensional tolerances for all NC clamping vises VCM



- Accessories
- Jaw sets

Fixed jaws, set



Type	Id. No.
VCM 100	58907110
VCM 130	58917110
VCM 160	58927110

Consisting of:
2 pieces fixed jaws
protective cover

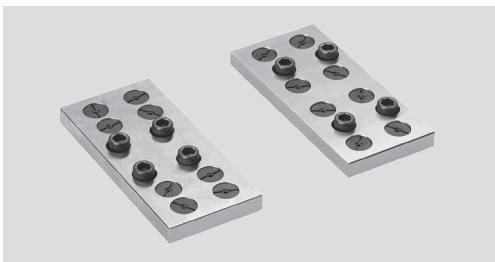
Block jaws, set



Type	Id. No.
VCM 100	58907210
VCM 130	58917210
VCM 160	58927210

Consisting of:
2 pieces block jaws
protective cover

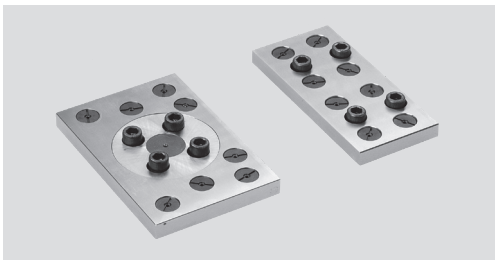
Jaws for gripper, set



Type	Id. No.
VCM 100	58907310
VCM 130	58917310
VCM 160	58927310

Consisting of:
2 pieces jaws for gripper

Floating jaws for gripper, set

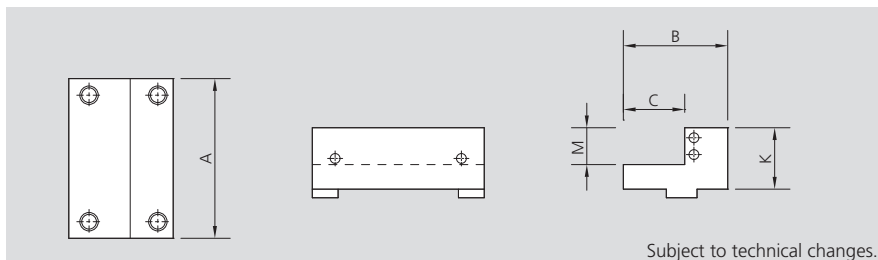


Type	Id. No.
VCM 100	58907320
VCM 130	58917320
VCM 160	58927320

Consisting of:
2 pieces floating jaws for gripper

- Accessories
- Jaws

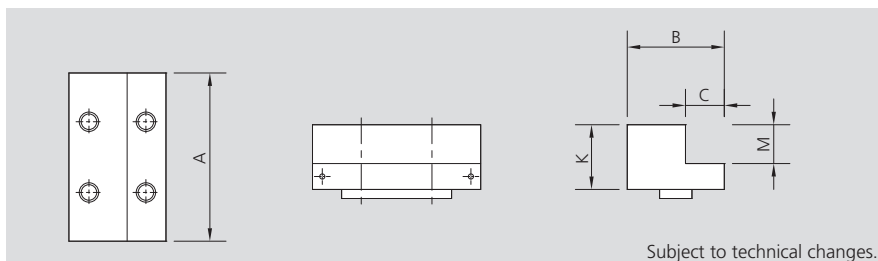
Stepped jaw, fixed



Subject to technical changes.

Type	Id. No.	A [mm]	B [mm]	C [mm]	K [mm]	M [mm]	Weight [kg]
VCM 100	58900210	100	78	32.5	45	25	2
VCM 130	58910210	130	83	35	52	30	3
VCM 160	58920210	160	86	35	95	30	4.2

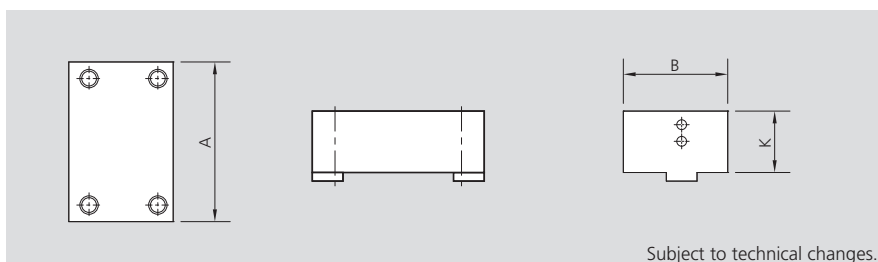
Stepped jaw, movable incl. protection cover



Subject to technical changes.

Type	Id. No.	A [mm]	B [mm]	C [mm]	K [mm]	M [mm]	Weight [kg]
VCM 100	58900310	100	64	26	45	25	1.5
VCM 130	58910310	130	74	30	52	30	2.8
VCM 160	58920310	160	86	35	55	30	4.2

Block jaw, fixed

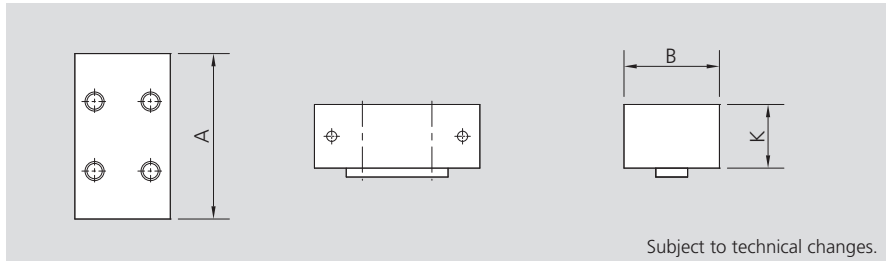


Subject to technical changes.

Type	Id. No.	A [mm]	B [mm]	K [mm]	Weight [kg]
VCM 100	58900220	100	78	45	3.0
VCM 130	58910220	130	83	52	4.0
VCM 160	58920220	160	86	55	6.0

- Accessories
- Jaws

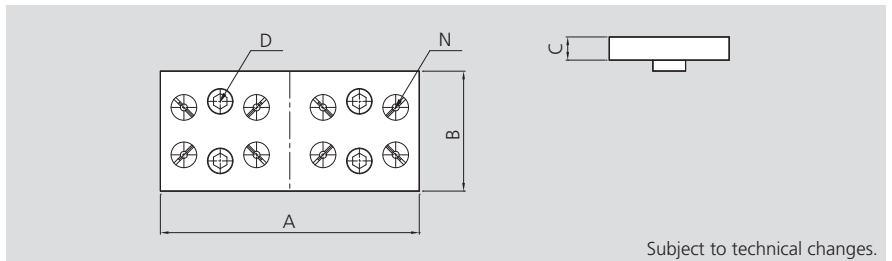
Block jaw, movable incl. protection cover



Subject to technical changes.

Type	Id. No.	A [mm]	B [mm]	K [mm]	Weight [kg]
VCM 100	58900320	100	64	45	2.5
VCM 130	58910320	130	74	52	4.5
VCM 160	58920320	160	86	55	6

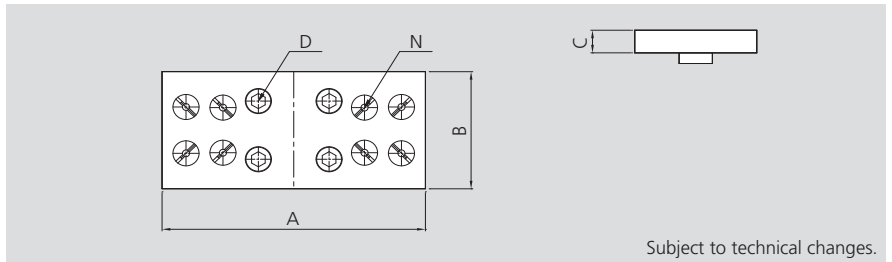
Fixed jaw for gripper



Subject to technical changes.

Type	Id. No.	A [mm]	B [mm]	C [mm]	D	N	Weight [kg]
VCM 100	58900230	160	73	22	M10 x 25	6	1.3
VCM 130	58910230	190	88	22	M12 x 30	8	2.2
VCM 160	58920230	220	88	22	M14 x 30	8	3

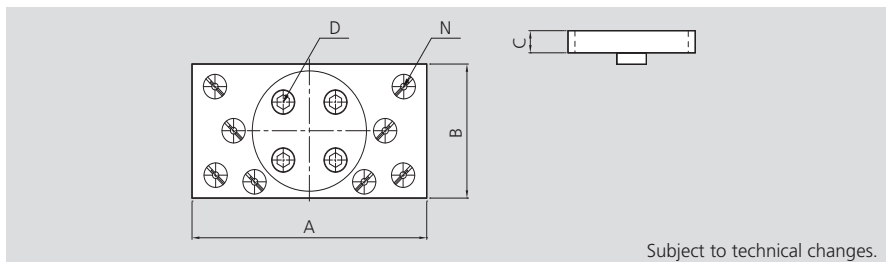
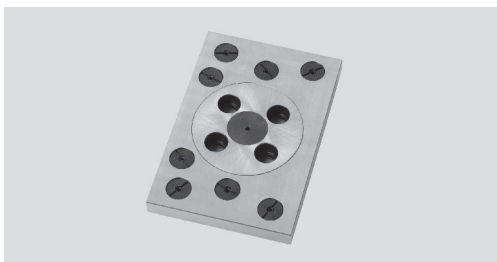
Movable jaw for gripper



Subject to technical changes.

Type	Id. No.	A [mm]	B [mm]	C [mm]	D	N	Weight [kg]
VCM 100	58900330	160	64	22	M10 x 25	6	1.4
VCM 130	58910330	190	88	22	M12 x 30	8	2.2
VCM 160	58920330	220	88	22	M14 x 30	8	3

Pendulum jaw gripper

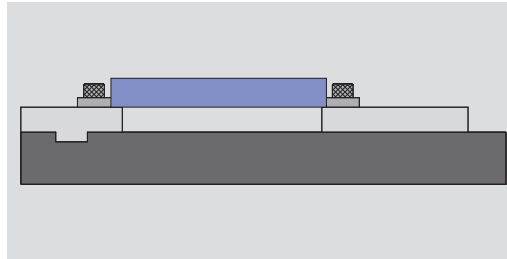


Subject to technical changes.

Type	Id. No.	A [mm]	B [mm]	C [mm]	D	N	Weight [kg]
VCM 100	58900340	160	88	22	M10 x 25 L	6	2.2
VCM 130	58910340	190	103	22	M12 x 30 L	8	3.2
VCM 160	58920340	220	128	22	M14 x 30 L	8	5.7

- Accessories
- Grippers

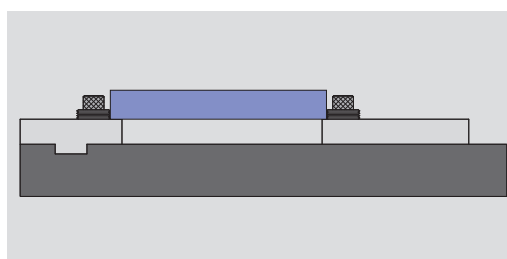
VCM grip insert smooth, height 11 mm



smooth
height 11 mm
set consisting of 4 grippers
and 4 fixing screws

Type	Id. No.
VCM	58906114

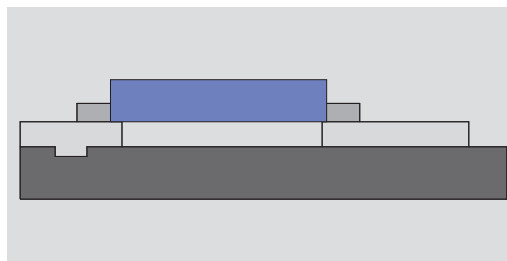
VCM grip insert serrated, height 11 mm



serrated
height 11 mm
set consisting of 4 grippers
and 4 fixing screws

Type	Id. No.
VCM	58906124

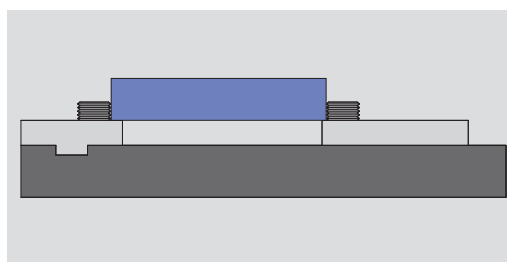
VCM grip insert smooth, height 19 mm



smooth
height 19 mm
set consisting of 4 grippers
and 4 fixing screws

Type	Id. No.
VCM	58906214

VCM grip insert serrated, height 19 mm

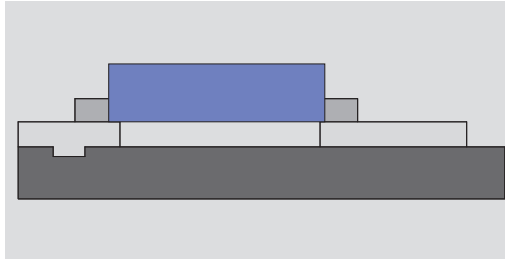
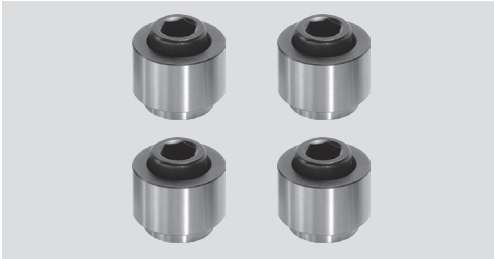


serrated
height 19 mm
set consisting of 4 grippers
and 4 fixing screws

Type	Id. No.
VCM	58906224

- Accessories
- Grippers

VCM Grip insert smooth, height 24 mm



smooth
height 24 mm
set consisting of 4 grippers
and 4 fixing screws

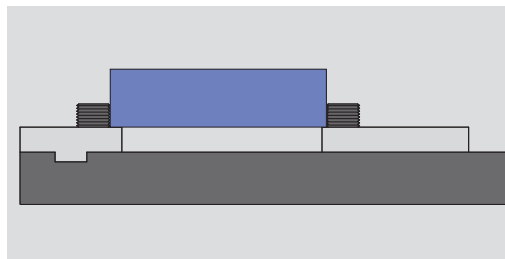
Type

Id. No.

VCM

58906314

VCM Grip insert serrated, height 24 mm



serrated
height 24 mm
set consisting of 4 grippers
and 4 fixing screws

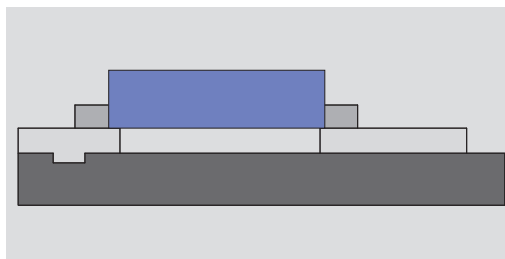
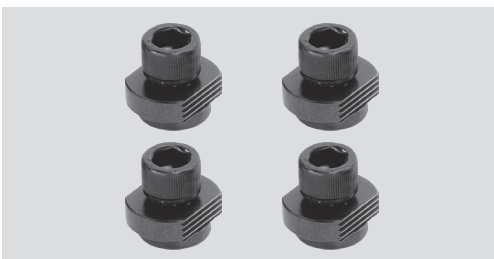
Type

Id. No.

VCM

58906324

VCM Grip insert smooth-serrated, height 11 mm



smooth-serrated
height 11 mm
set consisting of 4 grippers
and 4 fixing screws

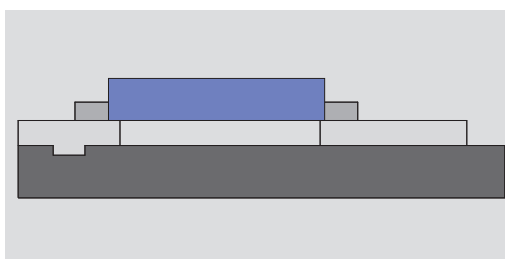
Type

Id. No.

VCM

58906414

VCM Grip insert smooth, soft, height 25 mm



smooth
soft
height 25 mm
set consisting of 4 grippers
and 4 fixing screws

Type

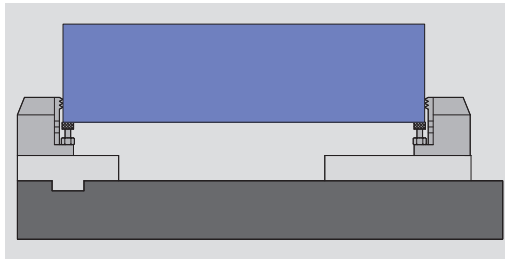
Id. No.

VCM

58906514

- Accessories
- Grippers

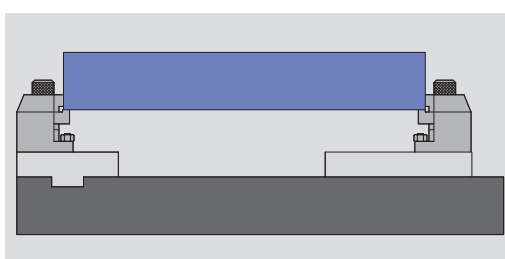
VCM grip insert smooth, adjustable, height 50 mm



smooth, adjustable height 50 mm set consisting of 4 grippers and 4 fixing screws

Type	Id. No.
VCM	58906724

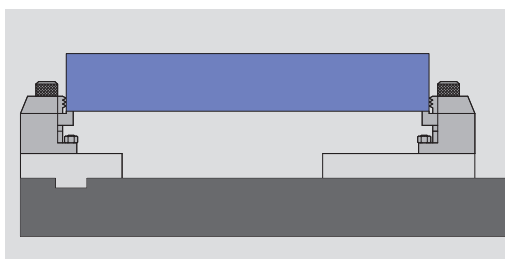
VCM grip insert smooth, with step, height 50 mm



smooth, adjustable height 50 mm set consisting of 4 grippers and 4 fixing screws

Type	Id. No.
VCM	58906814

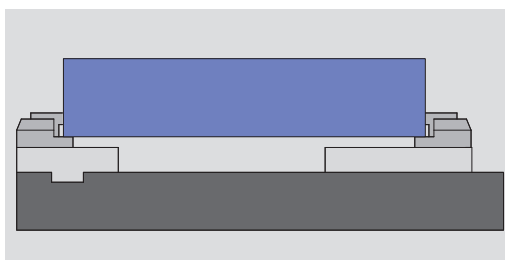
VCM grip insert serrated, with step, height 50 mm



serrated, adjustable height 50 mm set consisting of 4 grippers and 4 fixing screws

Type	Id. No.
VCM	58906824

VCM grip insert smooth, adjustable, height 25 mm



smooth, adjustable height 25 mm set consisting of 4 grippers and 4 fixing screws

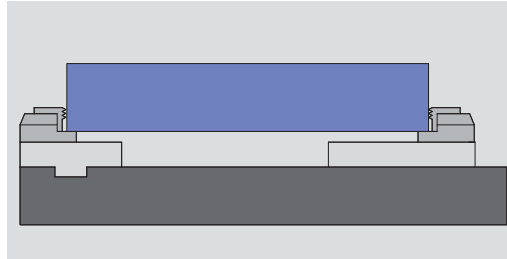
Type	Id. No.
VCM	58906614

VCM

NC clamping vise without power transmitter

- Accessories
- Grippers

VCM grip insert serrated, adjustable, height 25 mm



serrated
adjustable
height 25 mm
set consisting of 4 grippers
and 4 fixing screws

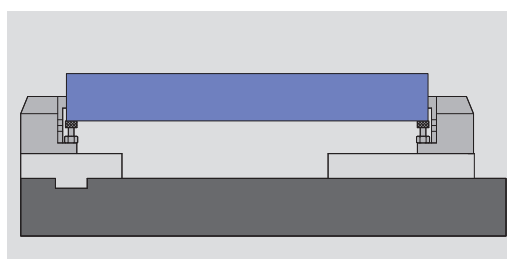
Type

Id. No.

VCM

58906624

VCM grip insert adjustable, smooth, height 50 mm



adjustable
smooth
height 50 mm
set consisting of 4 grippers
and 4 fixing screws

Type

Id. No.

VCM

58906714

VCM grip insert, set

Type

Id. No.

VCM

58906009

Consisting of 14 sets, each of 4 pieces grip inserts with fixing screws

Application examples



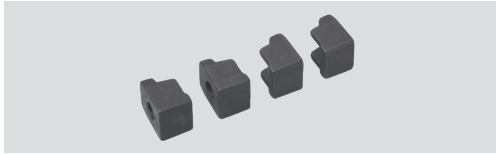
■ Accessories

Hand crank



Type	Id. No.
VCM 100	58901910
VCM 130	58901910
VCM 160	58901910

4 pieces of claws



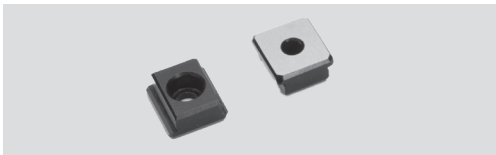
Type	Id. No.
VCM 100	58902709
VCM 130	58902709
VCM 160	58902709

Torque wrench



Type	Id. No.
VCM 100	51501010
VCM 130	51501010
VCM 160	51501010

Fitting T-nuts (1 pair) with screws



Type	Id. No.					
	18x12 mm	18x14 mm	18x16 mm	18x18 mm	18x20 mm	18x22 mm
VCM	58901392	58901393	58901394	58901395	58901396	58901397

Technical drawings of the VCM vise showing front, side, and top views with dimensions A, ØB, ØC, and D.

Type	A	ØB	ØC	D
VCM 100	0-220	80-250		0-150
VCM 130	0-320	90-350	0-90	0-210
VCM 160	0-380	90-420	0-90	0-240