

EM-B

Expanding mandrel $\varnothing 16 - 129.5 \text{ mm}$

Expanding mandrel
Manual or power operated

- Size 0 - 4
- Large expansibility



Application/customer benefits

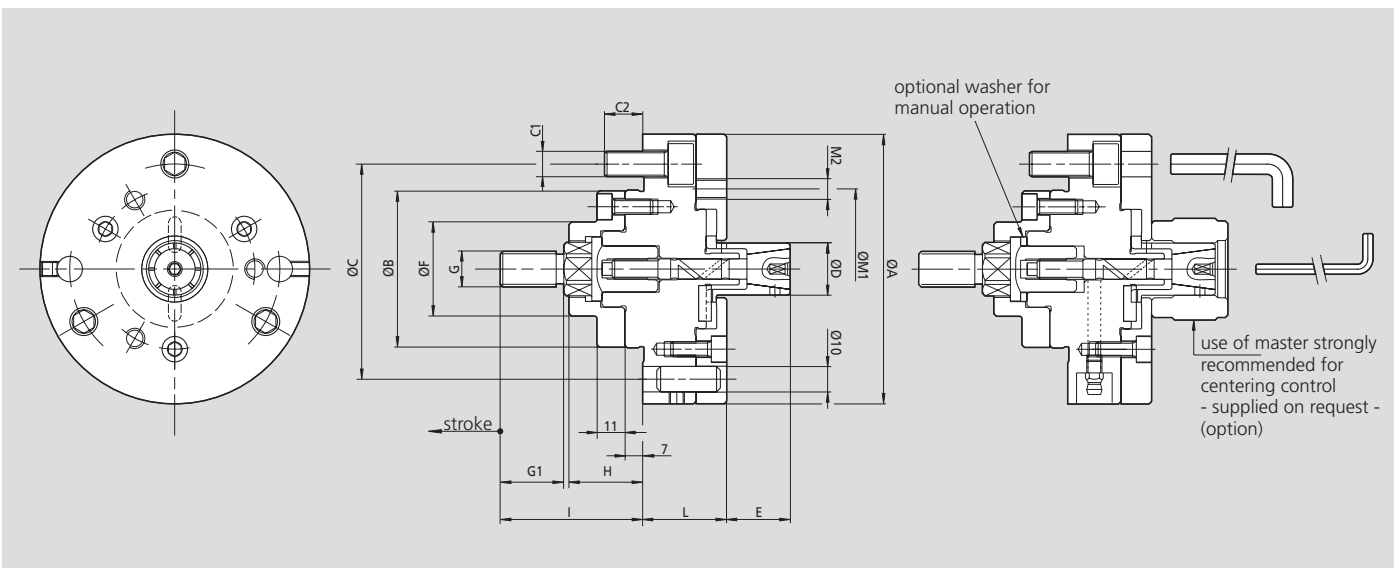
- For turning, milling, grinding and gear cutting operations
- High flexibility by means of modular system
- High torque transmission and concentricity
- No axial movement of clamping sleeve during operation
- Clamping of very short workpieces on the front section of the sleeve possible

Technical features

- Large expansibility up to 1.5 mm in diameter
- Hand or power operated
- Flange mounting
- Very rigid design
- Tapped holes at the front face to mount axial stops
- Clamping sleeves are also available in siliconized version

Standard equipment

Basic mandrel with draw bolt for power operation
Mounting bolts



Subject to technical changes.
For more detailed information please ask our customer service.

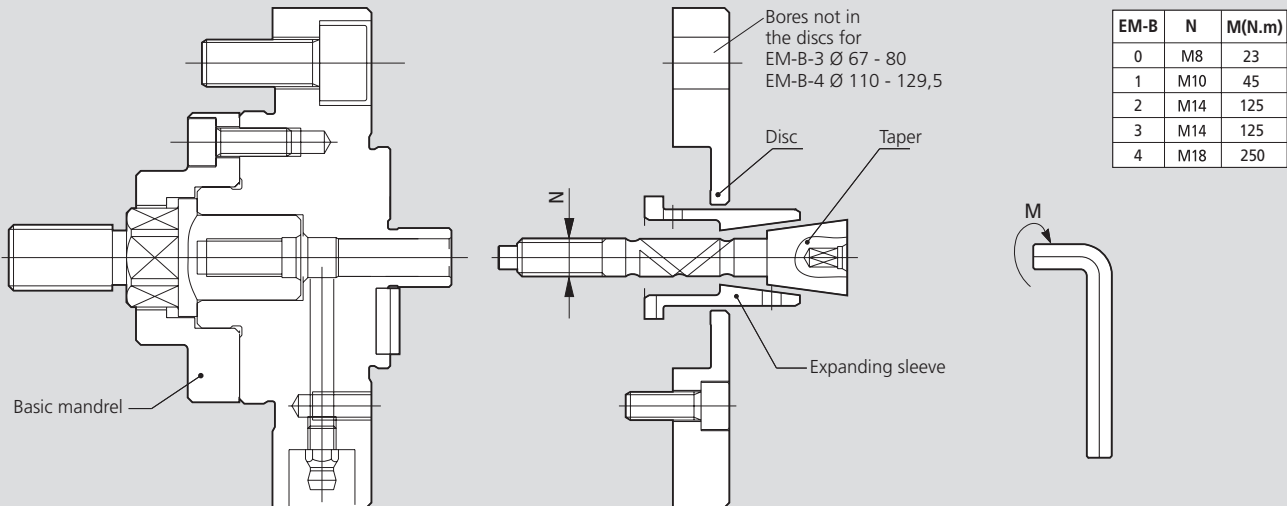
SMW-AUTOBLOK Type		EM-B 0	EM-B 1	EM-B 2	EM-B 3	EM-B 4
A	mm	106	106	106	125	180
B g5	mm	62	62	62	62	86
C	mm	82.6	82.6	82.6	82.6	133.4
C1	mm	3 x M10	3 x M10	3 x M10	3 x M10	3 x M12
C2	mm	16	16	16	16	15
D	mm	16 - 25.5	20 - 40.5	35 - 60.5	55 - 81	80 - 131
E	mm	23	28	43	58	85
F	mm	37	37	37	37	55
G	mm	M16	M16	M16	M16	M16
G1	mm	25	25	25	25	25
H	mm	29	29	29	29	36
I	mm	56	56	56	56	62
L	mm	35	37	37	37	50
M1	mm	63	68	85	104	162
M2	mm	3 x M8	3 x M8	3 x M8	6 x M8	6 x M8
N	mm	M8	M10	M14	M14	M18

Technical data

SMW-AUTOBLOK Type		EM-B 0	EM-B 1	EM-B 2	EM-B 3	EM-B 4
Axial stroke	mm	2.5	2.5	2.5	5	6.5
Sleeve expansion on \varnothing	mm	0.5	0.5	0.5	1	1.5
Max. axial force	kN	7	12	20	20	25
Recommended actuating cylinders	CSN	150	200	200	200	250
	SIN-S	70	70	85	85	100

All measurements in unclamped position = Right end position.

Ordering review



Subject to technical changes.
For more detailed information please ask our customer service.

EM-B-0				EM-B-1				EM-B-2				EM-B-3				EM-B-4			
Basic mandrel		68100021		Basic mandrel		68101021		Basic mandrel		68102021		Basic mandrel		68103021		Basic mandrel		68104021	
Expanding sleeve		$\varnothing D16 - \varnothing D25$		Expanding sleeve		$\varnothing D20 - \varnothing D40$		Expanding sleeve		$\varnothing D35 - \varnothing D60$		Expanding sleeve		$\varnothing D55 - \varnothing D80$		Expanding sleeve		$\varnothing D80 - \varnothing D129.5$	
Taper 68020120				Taper 68021120				Taper 68022120				Taper 68023120				Taper 68024120			
Disc	68040121	68040221	68040321	Disc	68041121	68041221	68041321	Disc	68042121	68042221		Disc	68043121	68043221		Disc	68044121	68044221	
D16	68200160			D20	68210200			D35	68220350			D55	68230550			D80	68240800		
D16.5	68200165			D20.5	68210205			D35.5	68220355			D56	68230560			D81.5	68240815		
D17	68200170			D21	68210210			D36	68220360			D57	68230570			D83	68240830		
D17.5		68200175		D21.5		68210215		D36.5	68220365			D58		68230580		D84.5	68240845		
D18		68200180		D22		68210220		D37	68220370			D59		68230590		D86		68240860	
D18.5		68200185		D22.5		68210225		D37.5		68220375		D60		68230600		D87.5		68240875	
D19			68200190	D23		68210230		D38		68220380		Taper 68023220				D89		68240890	
D19.5			68200195	D23.5		68210235		D38.5		68220385		Disc	68043321	68043421	68043521	D90.5		68240905	
D20			68200200	D24			68210240	D39		68220390		D61	68230610			Taper 68024220			
Taper 68020220				D24.5			68210245	D39.5		68220395		D62	68230620			Disc	68044321	68044421	
Disc	68040421	68040521	68040621	D25			68210250	D40		68220400		D63	68230630			D92	68240920		
D20.5	68200205			Taper 68021220				Taper 68022220				D64		68230640	D93.5	68240935			
D21	68200210			Disc	68041421	68041521	68041621	Disc	68042321	68042421	68042521	D65		68230650	D95	68240950			
D21.5	68200215			D25.5	68210255			D40.5	68220405			D66		68230660	D96.5	68240965			
D22		68200220		D26	68210260			D41	68220410			D67			D98		68240980		
D22.5		68200225		D26.5	68210265			D41.5	68220415			D68			D99.5		68240995		
D23		68200230		D27	68210270			D42	68220420			D69			D101		68241010		
D23.5			68200235	D27.5	68210275			D42.5	68220425			D70			D102.5		68241025		
D24			68200240	D28	68210280			D43	68220430			Taper 68023320				Taper 68024320			
D24.5			68200245	D28.5		68210285		D43.5		68220435		Disc	68043621	68043721	68043821	Disc	68044521	68044621	
D25			68200250	D29		68210290		D44		68220440		D71	68230710			D104	68241040		
				D29.5		68210295		D44.5		68220445		D72	68230720			D105.5	68241055		
				D30		68210300		D45		68220450		D73	68230730			D107	68241070		
				D30.5		68210305		D45.5		68220455		D74		68230740		D108.5	68241085		
				D31		68210310		D46		68220460		D75		68230750		D110		68241100	
				D31.5			68210315	D46.5			68220465	D76			68230760	D111.5		68241115	
				D32			68210320	D47			68220470	D77			68230770	D113		68241130	
				D32.5			68210325	D47.5			68220475	D78			68230780	D114.5		68241145	
				D33			68210330	D48			68220480	D79			68230790	Taper 68024420			
				D33.5			68210335	D48.5			68220485	D80			68230800	Disc	68044721	68044821	
				D34			68210340	D49			68220490					D116	68241160		
				D34.5			68210345	D49.5			68220495					D117.5	68241175		
				D35			68210350	D50			68220500					D119	68241190		
				Taper 68021320				Taper 68022320								D120.5	68241205		
				Disc	68041721	68041821		Disc	68042621	68042721	68042821						D122		68241220
				D35.5	68210355			D50.5	68220505							D123.5		68241235	
				D36	68210360			D51	68220510							D125		68241250	
				D36.5	68210365			D51.5	68220515							D126.5		68241265	
				D37	68210370			D52	68220520							D128		68241280	
				D37.5	68210375			D52.5	68220525							D129.5		68241295	
				D38	68210380			D53	68220530										
				D38.5		68210385		D53.5		68220535									
				D39		68210390		D54		68220540									
				D39.5		68210395		D54.5		68220545									
				D40		68210400		D55		68220550									
								D55.5		68220555									
								D56		68220560									
								D56.5			68220565								
								D57			68220570								
								D57.5			68220575								
								D58			68220580								
								D58.5			68220585								
								D59			68220590								
								D59.5			68220595								
								D60			68220600								

Ordering example:

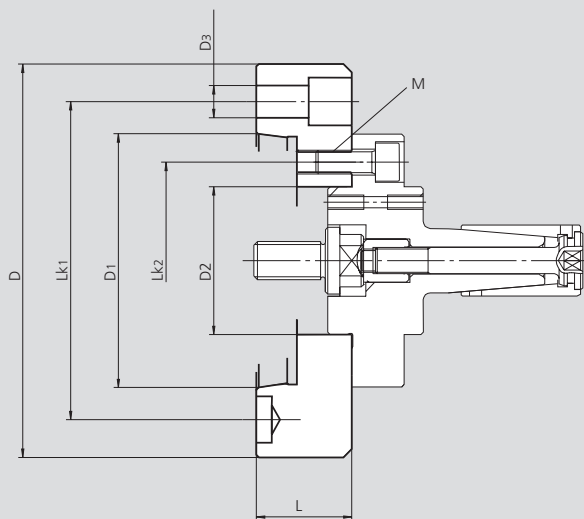
Component ID = $\varnothing 30$
 Basic mandrel EM-B-1 Id. No. 68101021
 Expanding sleeve AD = $\varnothing 30$ Id. No. 68210300
 Taper Id. No. 68021220
 Disc Id. No. 68041521

Adapters

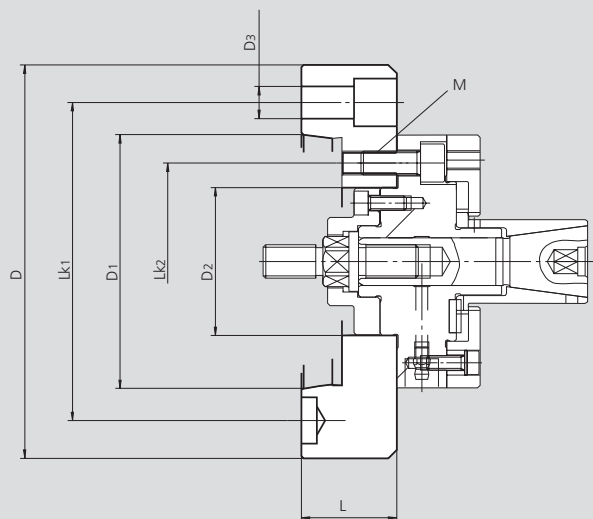
ISO-A for expanding mandrels

- Mandrels EM-A and EM-B have cylindrical mounting
- Adapters for DIN 55026 / ISO-A 702/1 spindle noses

EM-A



EM-B



Subject to technical changes.
For more detailed information please ask our customer service.

Technical data

Adapter flange Id. No.	mm	Spindle nose ISO	D	D1	D2	D3	LK1	LK2	L	M
24150100	mm	A5	127	82.563	62 ^{H6}	12	104.8	82.6	40	3 x M10
24150400	mm	A5	135	82.563	86 ^{H6}	12	104.8	104.8	40	3 x M10
24160100	mm	A6	165	106.375	62 ^{H6}	13.5	133.4	82.6	40	3 x M10
24160400	mm	A6	165	106.375	86 ^{H6}	13.5	133.4	104.8	40	3 x M10
24180100	mm	A8	210	139.719	62 ^{H6}	17	171.4	82.6	40	3 x M10
24180400	mm	A8	210	139.719	86 ^{H6}	17	171.4	104.8	40	3 x M10

Appropriate adapter flanges	EM-A	EM-B
24150100 ISO-A5	1-2-3-4-5-6	0-1-2-3
24160100 ISO-A6		
24180100 ISO-A8		
24150400 ISO-A5	7-8-9-10-11	4
24160400 ISO-A6		
24180400 ISO-A8		