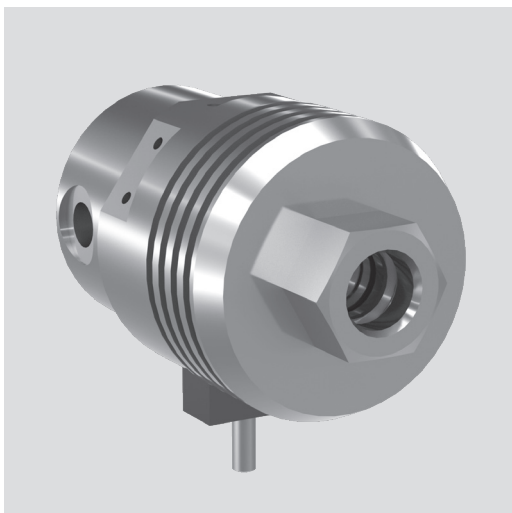


■ For double piston cylinder ZHVD-DFR for D-chucks



Application/customer benefits

- Rotary union for media supply for rotating cylinders
- Universal for air + oil / air + coolant
- Can also rotate dry (without medium applied)

Technical features

- Rotary union for 2 media
- Port A for air, oil and coolant
- Port B for air

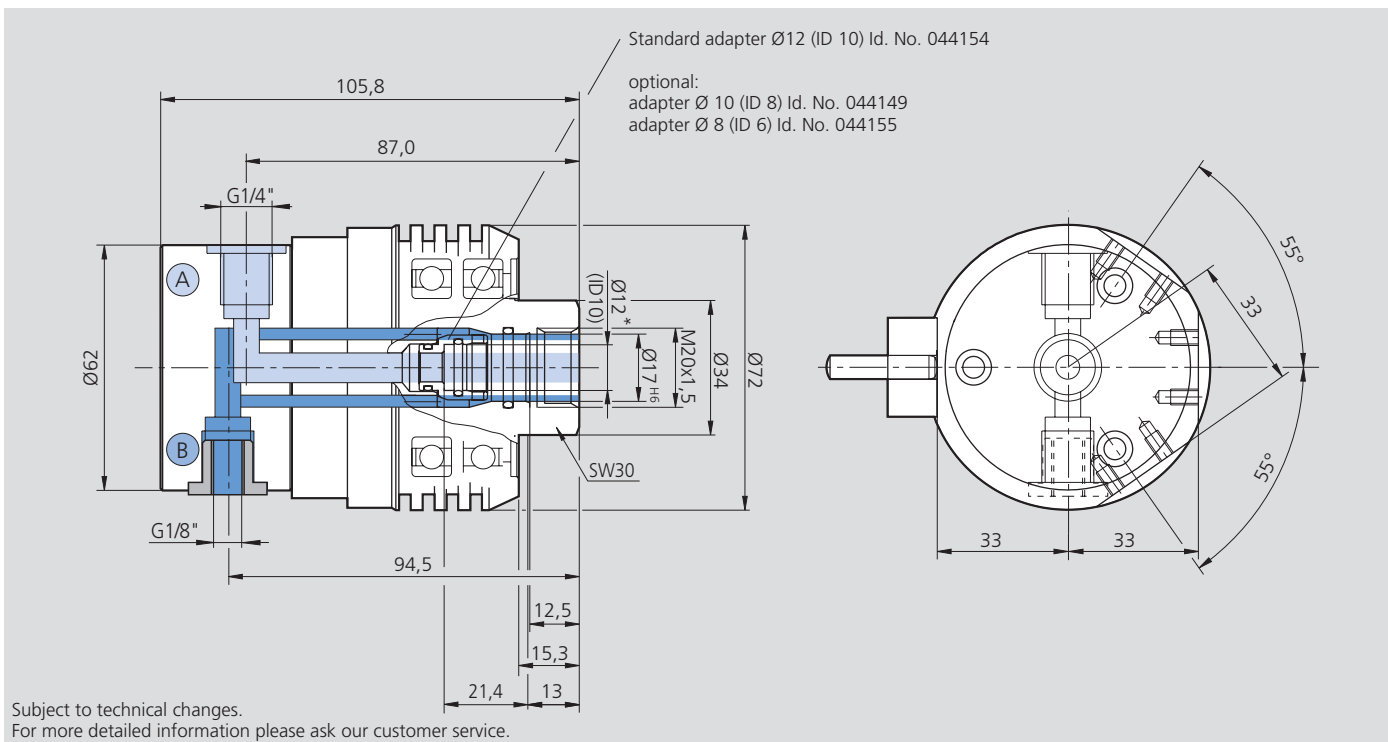
Note: The medium must be free of contamination
Filter 25 µm requested

Standard equipment

RU-2-20
Anti rotation pinblok
Adapter for tube Ø 12 mm (ID = 10 mm) Id. No. 044154

Option

Adapter for tube Ø 10 mm (ID = 8 mm) Id. No. 044149
Adapter for tube Ø 8 mm (ID = 6 mm) Id. No. 044155



Technical data

SMW-AUTOBLOK Type	Id. No.	max. speed r.p.m.	max. pressure port A media: air, oil, coolant		max. pressure port B media: air only		Weight kg	Filter requested µm
			bar	psi	bar	psi		
RU-2-20	044972	4000	40	580	10	145	0.94	25