

SMW-AUTOBLOK

Extra compact

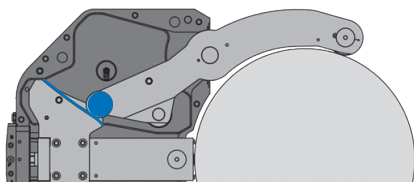
Steady Rest

Type RX

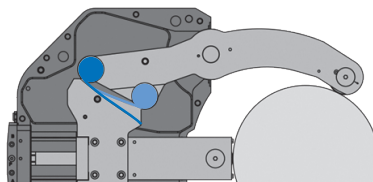


Double curve system

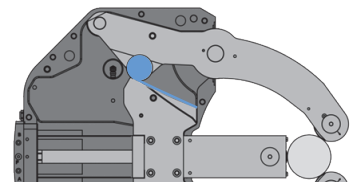
proofline® series
fully sealed – low maintenance



Cam 1 is driving **roller 1**.
They cover the first 50% of the clamping stroke.



Cam 2 and **roller 2** are taking over
in the transition zone between **Cam 1**
and **roller 1**.

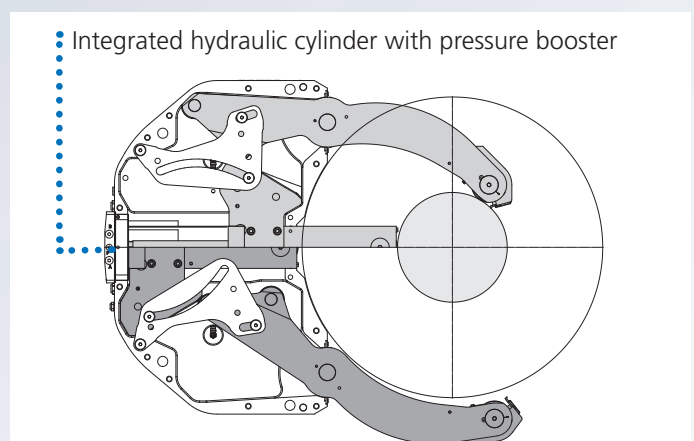


Cam 2 is driving **roller 2**.
They cover the second 50% of the clamping stroke.

Features included in standard range

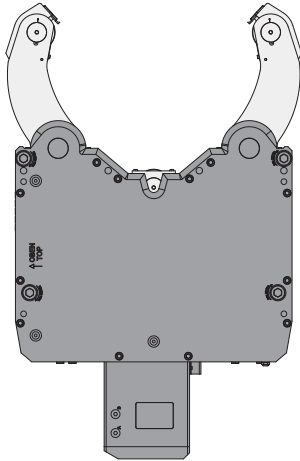
| Steady Rest type | Premium line |
|--|----------------|
| | RX |
| Steady Rest size | 2 - 6.1 |
| Sealed body | ■ |
| Safety valve (integrated in pressure booster) | ■ |
| Stroke control without proximity switch | ■ |
| 1 set swarf guard with integrated coolant flush* | ■ |
| 1 set cylindrical rollers | ■ |
| Port for compressed air | ■ |
| Port for coolant through arms incl. chip guard | ■ |
| Toolbox | ■ |

* No integrated coolant flush at RX2, at RX3 optional

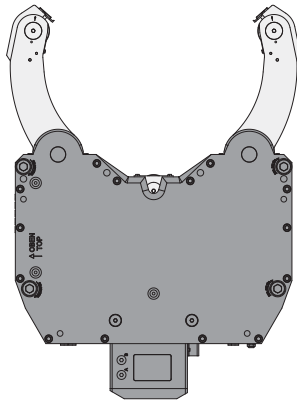


Size comparison

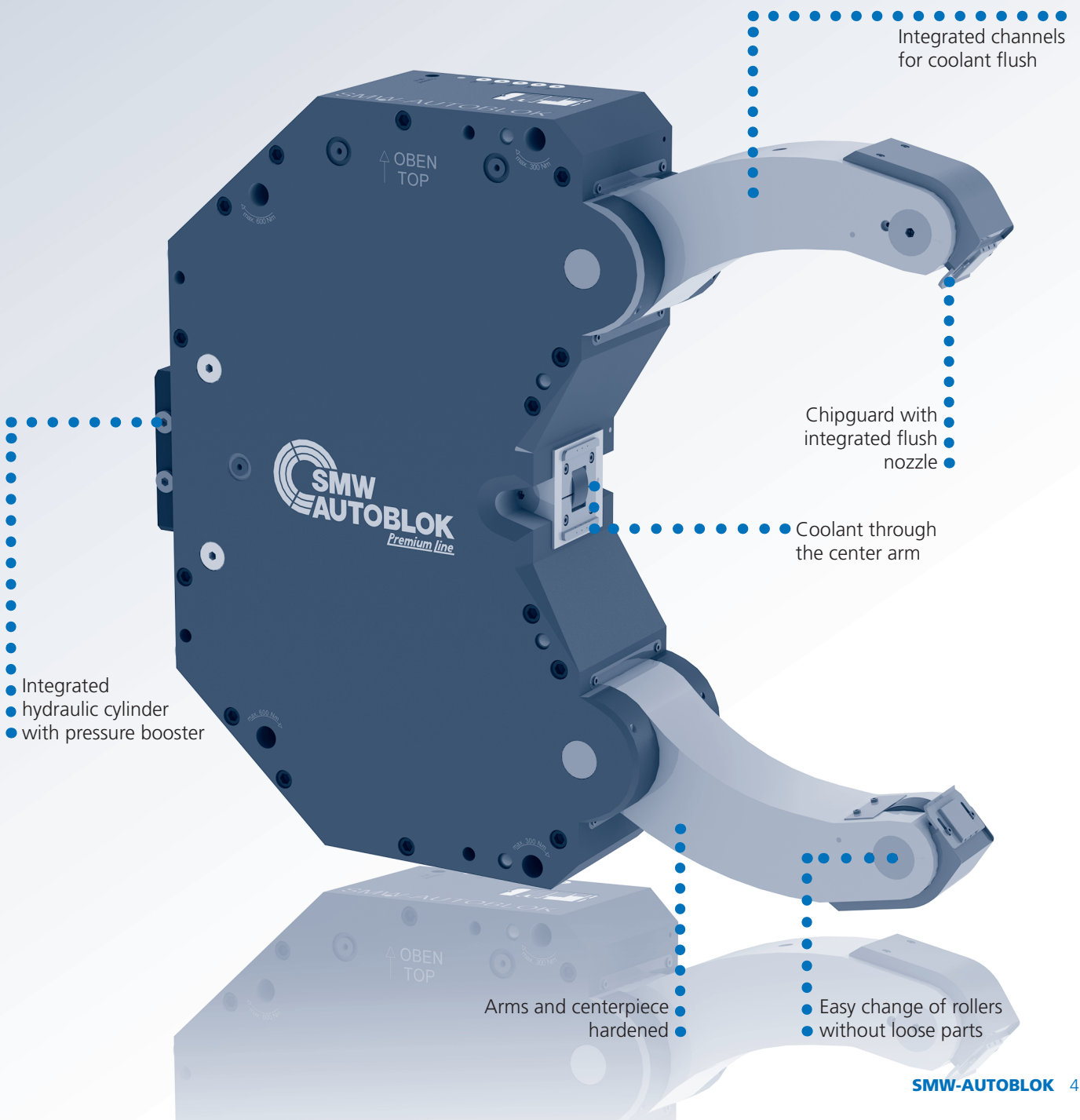
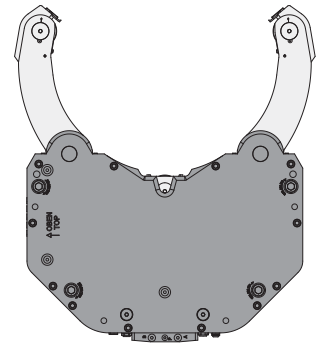
SR 6
Clamping range
125 - 460 mm



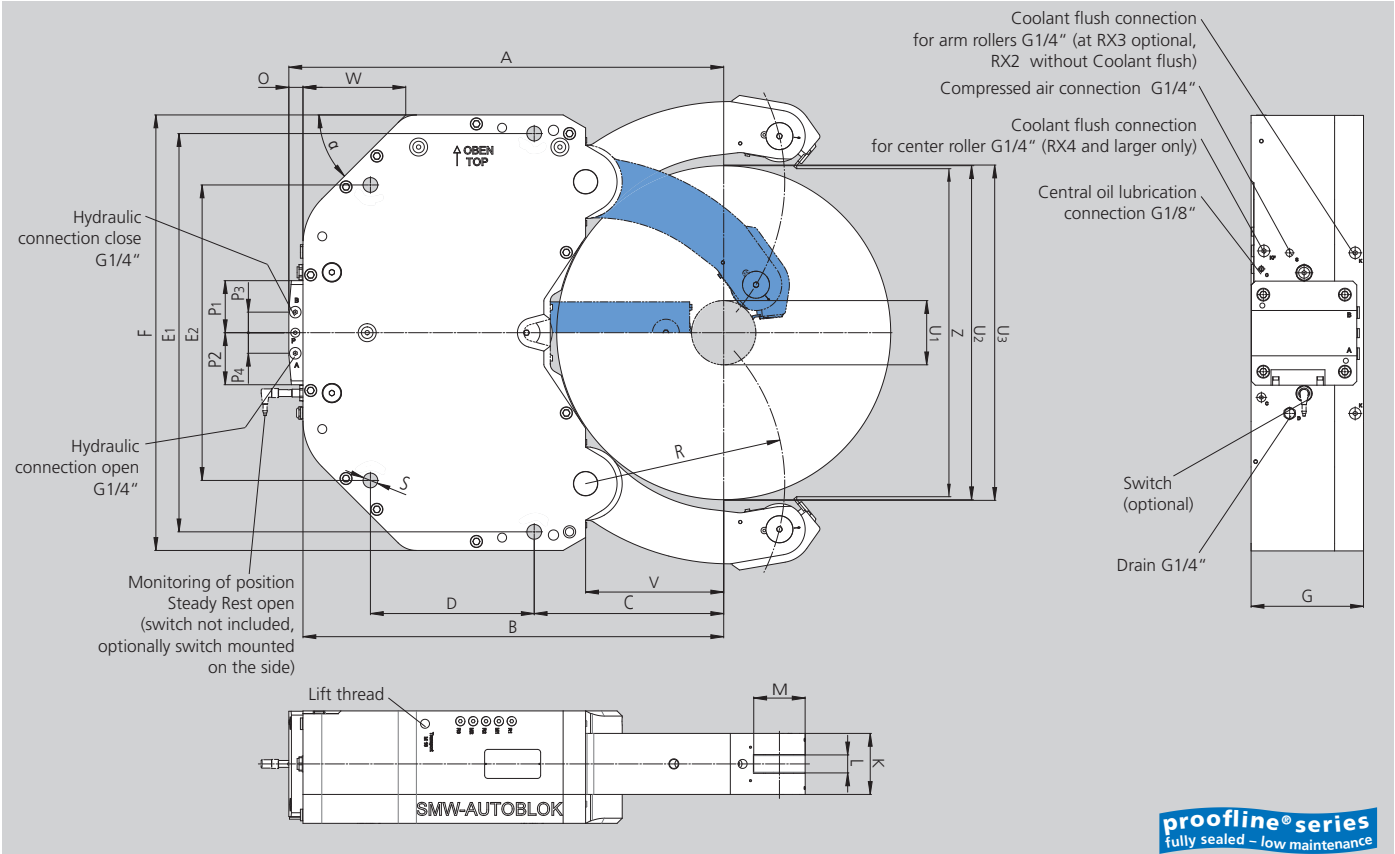
K 6.1
Clamping range
215 - 510 mm



RX 6
Clamping range
100 - 520 mm



- Integrated cylinder
- Chip guard with coolant nozzles
- Stroke control with proximity switch
- proofline® = fully sealed - low maintenance



Subject to technical changes.
For more detailed information please ask our customer service.

| SMW-AUTOBLOK Type Size | | RX 2 | RX 3 | RX 4 | RX 5 | RX 6 | RX 6.1 |
|--|-----------------|------------|-----------|---------|---------|---------|------------|
| Centering range with coolant chip guard | U1 | 10 | 20 | 35 | 75 | 100 | 250 |
| Max. clamping diameter* | U2 | 210 | 270 | 340 | 430 | 520 | 685 |
| Max. axial clearing diameter | U3 | 216 | 275 | 345 | 432 | 522 | 687 |
| | A | 367 | 430 | 504 | 599 | 677 | 792 |
| | B | 313 | 408 | 482 | 577 | 655 | 770 |
| | C | 110 | 140 | 170 | 225 | 295 | 370 |
| | D | 145 | 170 | 220 | 235 | 255 | 290 |
| | E1 | 340 | 400 | 460 | 490 | 620 | 720 |
| | E2 | 315 | 340 | 360 | 360 | 460 | 520 |
| | F | 380 | 440 | 500 | 530 | 678 | 760 |
| | G | 110 | 150 | 155 | 165 | 175 | 175 |
| | K | 60 | 75 | 80 | 85 | 95 | 95 |
| Width of rollers | L | 19 | 25 | 25 | 29 | 29 | 29 |
| Diameter of rollers | M | 35 | 47 | 52 | 62 | 80 | 80 |
| | O | 54 | 22 | 22 | 22 | 22 | 22 |
| | P1 | 79 | 81 | 81 | 81 | 81 | 81 |
| | P2 | 79 | 81 | 81 | 81 | 81 | 81 |
| | P3 | 24 | 30 | 30 | 30 | 30 | 30 |
| | P4 | 24 | 30 | 30 | 30 | 30 | 30 |
| | R | 132 | 164 | 210 | 270 | 310 | 395 |
| | S | 14 | 18 | 23 | 23 | 23 | 23 |
| | V | 85 | 118 | 148 | 200 | 215 | 285 |
| | W | 48 | 108 | 121 | 175 | 160 | 197 45.6 |
| Chip guard/ With coolant flush / without coolant flush | Z | 206/213*** | 270 / 279 | 332.8 | 432 | 510.6 | 682 |
| | α | 45° | 45° | 45° | 38° | 45° | 40° 60° |
| Piston area | cm ² | 12,56 | 12,56 | 12,56 | 12,56 | 19,63 | 19,63 |
| Operating pressure min. / max. „close“ ** | bar | 10/50 | 10 / 60 | 10 / 50 | 10 / 65 | 10 / 60 | 10 / 60 |
| Operating pressure min. / max. „open“ ** | bar | 20/50 | 20 / 60 | 20 / 50 | 20 / 65 | 20 / 60 | 20 / 60 |
| Max. clamping force / roller | daN | 450 | 1000 | 1500 | 2000 | 3000 | 3000 |
| Centering accuracy over the whole range | mm | 0,08 | 0,08 | 0,1 | 0,1 | 0,1 | 0,1 |
| Repeatability accuracy | mm | 0,007 | 0,007 | 0,01 | 0,01 | 0,01 | 0,01 |
| Max. roller surface speed | m/min | 800 | 725 | 715 | 600 | 560 | 560 |
| Weight approx. | kg | 60 | 120 | 152 | 190 | 295 | 325 |

* Can be loaded axially. Radial loading is possible, without chip guard.

** 240 bar in the cylinder created by the pressure booster (ratio 1:4 RX2 + RX3). 375 / 485 / 450 bar in the cylinder created by the pressure booster (ratio 1:7.5 RX4-6.1).

In case a lower pressure for the function „Steady Rest close“ is needed, two independent pressure regulators for open and close have to be installed.

*** The RX 2 has no coolant flush. Dimension Z is w/o the 3 pcd. Chip guard.

- Ordering review
- Accessories
- Wearing parts

RX Steady Rest with stroke control Steady Rest open via proximity switch (without proximity switch)

| Steady Rest size | | 2 | 3 | 3 (incl. flush) | 4 | 5 | 6 | 6.1 |
|---|---------|--------|------------|-----------------|------------|------------|--------|------------|
| RX-M Manual lubrication | Id. No. | | on request | 227773 | 227370 | 226501 | 226975 | on request |
| RX-Z Central lubrication oil | Id. No. | 228250 | 224670 | 224690 | 224700 | 224200 | 224140 | 224220 |
| RX-OLD Central lubrication oil + air | Id. No. | | 227570 | on request | on request | on request | 227310 | on request |
| RX-F Central grease lubrication | Id. No. | | on request | 227234 | 227235 | 227332 | 226900 | on request |

RX Steady Rest with stroke control via linear stroke control SCU, output 4 - 20 mA

| Steady Rest size | | 2 | 3 | 3 (incl. flush) | 4 | 5 | 6 | 6.1 |
|---|---------|---|------------|-----------------|------------|------------|------------|------------|
| RX-M Manual lubrication | Id. No. | | on request | on request | on request | on request | on request | on request |
| RX-Z Central lubrication oil | Id. No. | | 227961 | 227962 | on request | 228045 | on request | 227311 |
| RX-OLD Central lubrication oil + air | Id. No. | | on request | on request | on request | on request | on request | on request |
| RX-F Central grease lubrication | Id. No. | | on request | on request | on request | on request | on request | on request |

RX Steady Rest with stroke control via linear stroke control SCU, output 0 - 10V

| Steady Rest size | | 2 | 3 | 3 (incl. flush) | 4 | 5 | 6 | 6.1 |
|---|---------|---|------------|-----------------|------------|------------|------------|------------|
| RX-M Manual lubrication | Id. No. | | on request | on request | on request | on request | on request | on request |
| RX-Z Central lubrication oil | Id. No. | | 224946 | 227980 | on request | 225925 | 227766 | on request |
| RX-OLD Central lubrication oil + air | Id. No. | | on request | on request | on request | on request | on request | on request |
| RX-F Central grease lubrication | Id. No. | | on request | on request | on request | on request | on request | on request |

Type RX

◆ means wearing parts, recommended stock items

| Steady Rest size | | 2 | 3 | 3 (incl. flush) | 4 | 5 | 6 | 6.1 |
|---|---|--------|--------|-----------------|--------|--------|------------|------------|
| Compact lubrication system for oil pressure lubrication Container 2.7 l, 220 V *,** | | 088707 | 088707 | 088707 | 088707 | 088707 | 088707 | 088707 |
| Compact lubrication system for oil + air lubrication Container 2.7 l, 220 V *,** | | 088708 | 088708 | 088708 | 088708 | 088708 | 088708 | 088708 |
| Eccenter fine adjustment compl. at lever arm (2 pcs. per Steady Rest) | | 228290 | 224665 | 224665 | 224694 | 224193 | 224196 | 224196 |
| Inductive limit switch | | 087926 | 087926 | 087926 | 087926 | 087926 | 087926 | 087926 |
| Swarf guard (3-pieces) | ◆ | 026116 | 026117 | - | - | - | - | - |
| Swarf guard coolant / air with wiper | | - | - | 224697 | 125797 | 125816 | 125837 | 125837 |
| Wiper for swarf guard coolant / air | ◆ | - | - | 124026 | 126904 | 126888 | 126694 | 126694 |
| Roller stripper for middle piece (2-pieces) | ◆ | 200154 | 198950 | 198950 | 200151 | 200152 | 203268 | 203268 |
| Roller cylindrical design | ◆ | 016952 | 016951 | 016951 | 016953 | 018345 | 026594 | 026594 |
| Roller spherical design | ◆ | 017658 | 018433 | 018433 | 018443 | 019545 | 121302 | 121302 |
| Roller synthetic material *** | ◆ | 029451 | 023443 | 023443 | 023672 | 023650 | 227357 | 227357 |
| Roller stripper (2-pieces) for middle piece with roller synthetic material | ◆ | 204211 | 204212 | 204212 | 204214 | 204216 | - | - |
| Roller carbide | ◆ | 129223 | 129225 | 129225 | 220918 | 222038 | on request | on request |
| Adjustment device 1 set = 3 pcs. | | 200178 | 200178 | 200178 | 200179 | 200179 | 200179 | 200179 |

* When placing an order, please advise voltage.

** On request 110 V available.

*** **ATTENTION:** Reduced clamping force! Please refer to the clamping force value marked on the roller.

It might not be possible to reach this grip force, when using the standard pressure booster. An exchange to a special ratio pressure booster might be necessary.