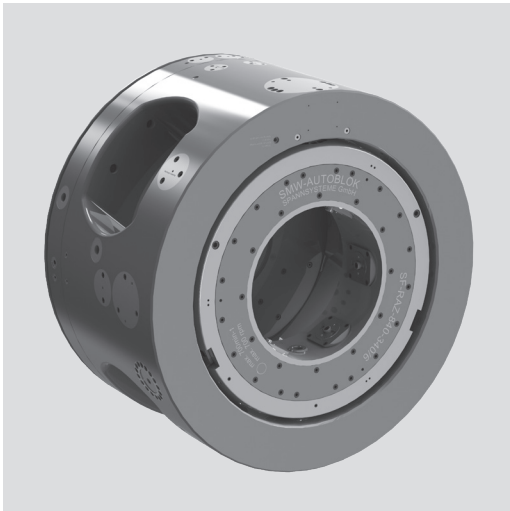


## 2 Position hydraulic ring indexing chuck

- 3 self centering and 3 compensating jaws
- Large evacuation windows for easy chip flow
- Fully automatic and controlled indexing
- Hydraulic actuation



### Application/customer benefits

- Machining of couplings in one set up
- Indexing 180° in 2 seconds
- 6-jaw clamping for perfect roundness of the coupling = ideal for premium threads
- High-Low clamping (roughing-finishing)

### Technical features

- Hydraulic, automatic ring indexing chuck
- All functions controlled by proximity switches
- Extremely accurate and rigid indexing mechanism
- For external clamping only
- Automatic central lubrication

### Standard equipment

Chuck with mounting bolts

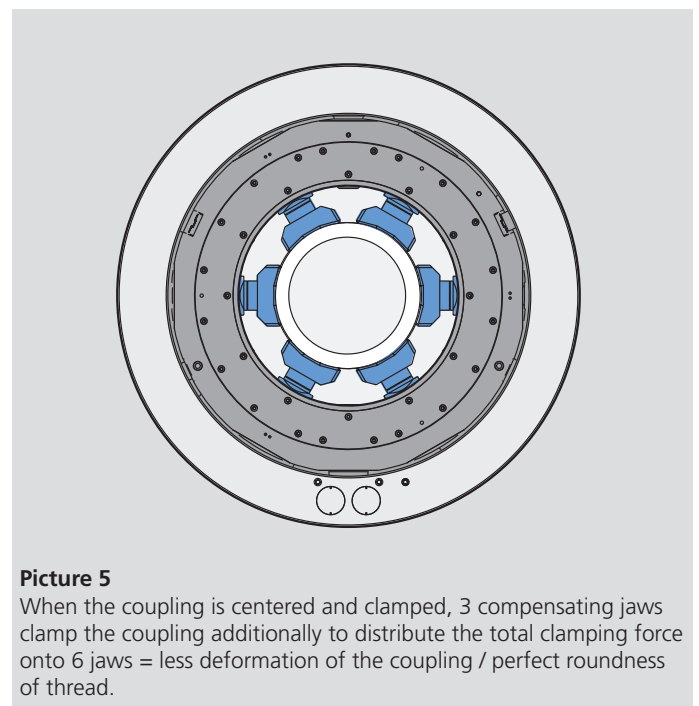
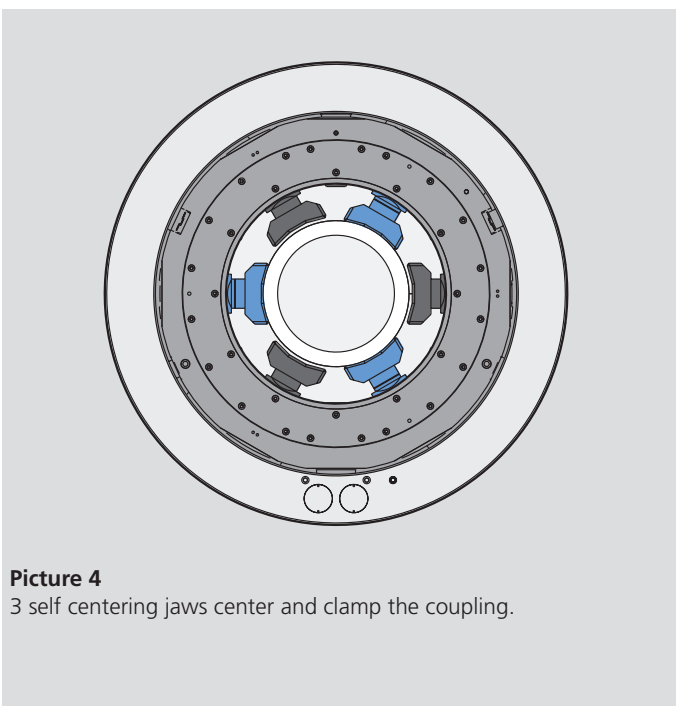
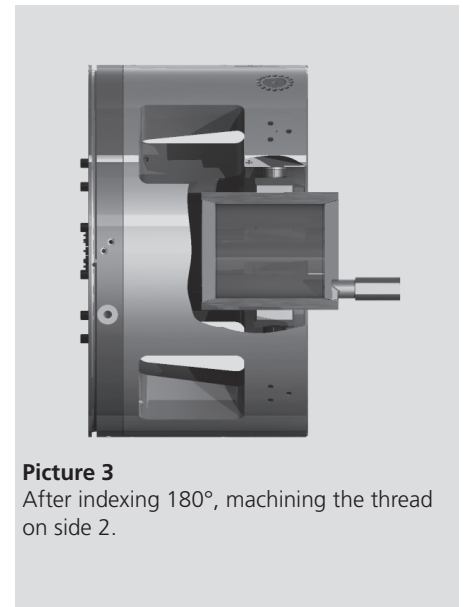
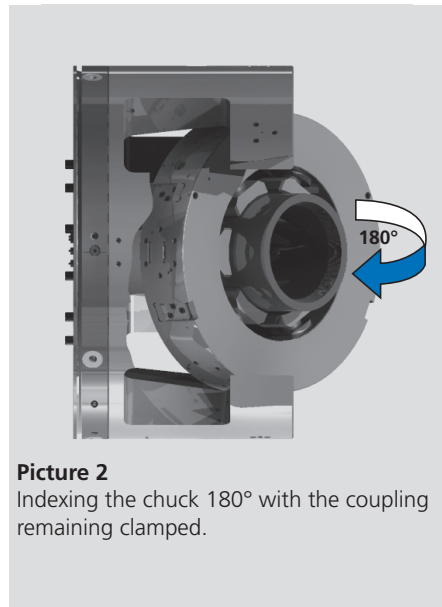
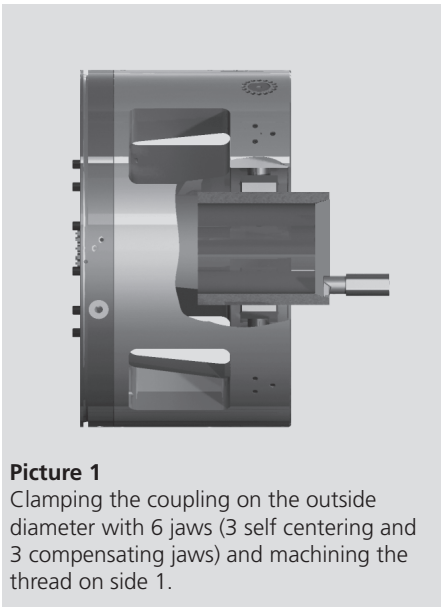
### Ordering example

SF-RAZ 950-3+3 A 20

### Accessories

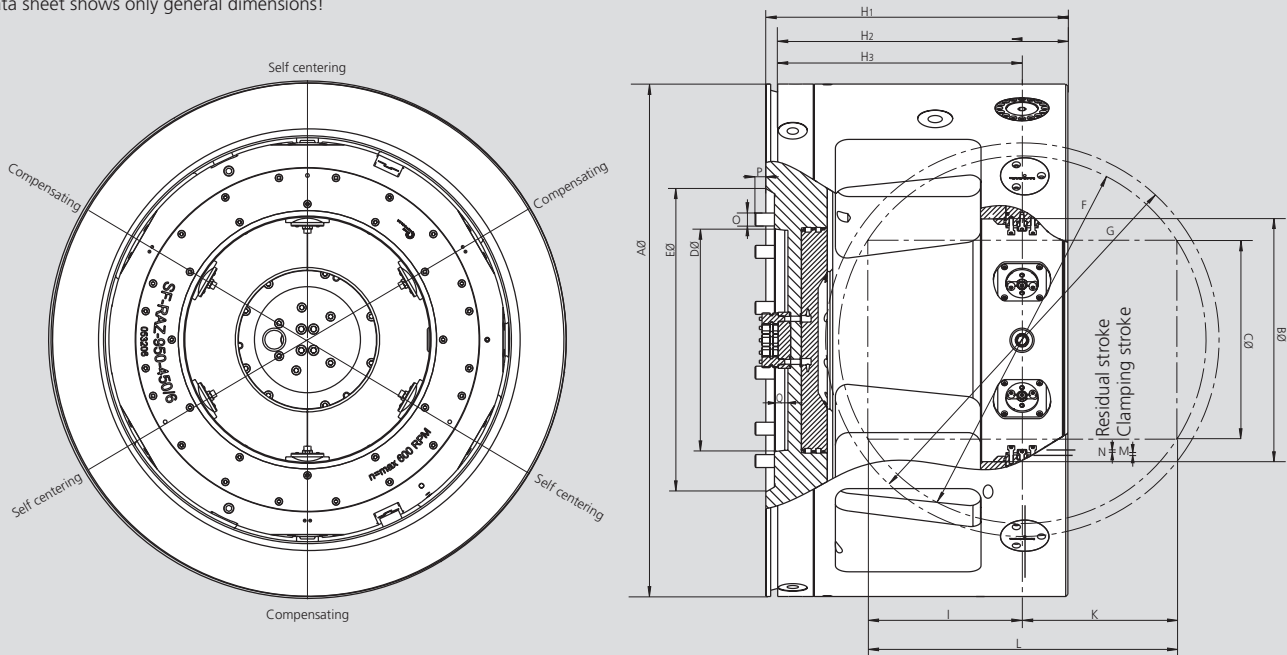
Hydraulic manifold including electric manifold, hose kit

## Machining of a coupling in one set up:



### ■ Main dimensions and technical data

Data sheet shows no jaw dimensions and radial covers for switches and adjustments.  
Data sheet shows only general dimensions!



Subject to technical changes.  
For more detailed information please ask our customer service.

SMW-AUTOBLOK Type			SF-RAZ 750	SF-RAZ 840	SF-RAZ 950	SF-RAZ 1050
Id. No.			053090	053097	053206	053900
Chuck O.D.	<b>A</b>	mm	750	840	950	1050
Indexing ring I.D.	<b>B</b>	mm	250	340	450	550
Max. workpiece O.D.	<b>C</b>	mm	185	275	368	468
Spindle mounting	<b>D</b>		A15	A15	A20	A20
Recess for spindle O.D.	<b>E</b>	mm	435	435	562	562
Max. swing workpiece	<b>F</b>	mm	480	570	680	780
Swing indexing ring	<b>G</b>	mm	526	618	728	828
	<b>H1</b>	mm	456	501	560	610
	<b>H2</b>	mm	440	485	544	594
	<b>H3</b>	mm	355	400	459	509
	<b>I</b>	mm	221.5	250	286	312
	<b>K</b>	mm	221.5	250	286	312
Max. length of workpiece	<b>L</b>	mm	443	500	572	624
Rec. clamping stroke	<b>M</b>	mm	5.5	5.5	5.5	5.5
Recom. residual stroke	<b>N</b>	mm	4.5	4.5	4.5	4.5
Total jaw stroke	<b>S</b>	mm	10	10	10	10
Mounting bolts	<b>O</b>	mm	M24	M24	M24	M24
	<b>P</b>	mm	37	37	36	36
Max. speed		r.p.m.	800	700	600	530
Max. pressure		bar (psi)	70 (1015)	70 (1015)	70 (1015)	70 (1015)
Max. grip force		kN (lbf)	250 (56202)	250 (56202)	250 (56202)	250 (56202)
Weight		kg (lbs)	1018 (2244)	1200 (2646)	1650 (3638)	2155 (4751)

### Installation of SF-RAZ with hydraulic manifold, electric manifold and hose kit: (All these accessories must be ordered separately)

