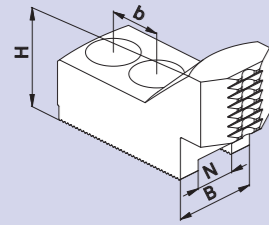


# GSG-M

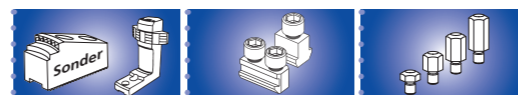
## Hard bar roughing jaws



- Metric serration 1.5 x 60°
- Serration ground

Type	Id. No.	Clamping range Ø	B	H	N	Serration	b for ISO 4762	kg/Set	SMW-AUTOBLOK
<b>GSG-M 120</b>	<b>091347</b>	15-30	30	40	12	1.5 x 60°	20 M10	1.04	HFKN-M 165 AN/AL/BH-M 165 BHM-FC 165 RC-M 165 AP/NT-M 170 BB-M 175 HB/PB/PBI-M 165
<b>GSG-M 140</b>	<b>091348</b>	20-50	35	45	14	1.5 x 60°	25 M12	1.73	HFKN-M 210 AN/AL/BH-M 210 BB-M 210 BHM-FC 210 RC-M 210 AP/APL/NT-M 215 HB/PB/PBI-M 210
<b>GSG-M 160</b>	<b>091349</b>	20-60	40	50	16	1.5 x 60°	30 M12	2.60	HFKN-M 260 AN/AL/BH-M 250 BB-M 250 BHM-FC 250 RC-M 250 AP/APL/NT-M 260 HB/PB/PBI-M 250
<b>GSG-M 180</b>	<b>091350</b>	30-80	50	50	18	1.5 x 60°	30 M14	3.84	
<b>GSG-M 210</b>	<b>091351</b>	30-80	50	50	21	1.5 x 60°	30 M16	3.92	AN/AL-M 315 BH/BB-M 315 PB/PBI/HB-M 315 HFKN-M 315 AP/NT-M 315

Howa	Samchully	Kitagawa	Schunk
HO7MA6 HO15M6 HO22M6 HO24M6 HO27M6 HO37M6 HO47M6	HC 06 HCH 06 HCL 06 HCLT 06 HCT 06 MH 206 HS 06 HSL 06 MHT 206	AS165 B-06/-106/-160/-206 BB-06/-206 BL-206 • B-07 HJA 5-6 HOB-6 • HO-6 HOH-06/-106/-160/-206 HOS 6 N-06/-160 • NL-06	HSL 165 ROTA NC plus 185 ROTA NCF plus 185 ROTA NCD 165-185 ROTA NCK 165 ROTA NCK plus 165 ROTA NC 165 ROTA NCF 165
HO7MA8 HO15MA8 HO23MA8	HC 08 HCH 08 HCL 08 HCLT 08 HCT 08 MH 208 HS 08 HSF 08 HSL 08 MHT 208	AS210 B-08/-108/-200/-208 BB-08/-208 BL-208 • HJA 6-8 HO 8 • HOB 8 HOH-8/-108/-200/-208 HOS 8 N-08/-200 NL-08	HSL 210 ROTA NCD 210 ROTA NCK 210 ROTA NC 210 ROTA NCF 210 ROTA NCK plus 210 ROTA NC plus 215 ROTA NCF plus 215
	HC 10 HCH 10 HCL 10 HCLT 10 HCT 10 MH 210 HS 10 HSF 10 HSL 10	AS250 B-10/-110/-210/-210X/-250 BB-10/-210 BL-210 HJA 6-10/8-10 HO-10 HOB-10 HOH-10/-110/-210/-250 HOS-10 N-10/-250 • NL-10	HSL 250 ROTA NC 250 ROTA NCD 250 ROTA NCF 250 ROTA NCK 250 ROTA NCK plus 250 ROTA NC plus 260 ROTA NCF plus 260
HO7MA12 HO15M12 H23M12 HO22M10 HO24M10 HO27M10 HO37M10 HO47M10	HC 12 HCH 12 HCL 12	B-12/-300 HJA 6-12/8-12 HLA 6-15/8-15 HO-12 • HOB-12 HOH-12/300 HOS-12 N-12/-300 NL-12	HSL 315 ROTA NC 315 ROTA NCF 315
	MH 212 HS 12 HSF 12 HSL 12	B-212 BB-212 BL-212	HSL 315 ROTA NCD 315 ROTA NCK 315 ROTA NC plus 315 ROTA NCK plus 315 ROTA NCF plus 315



SMW-AUTOBLOK  
62, 184, 186

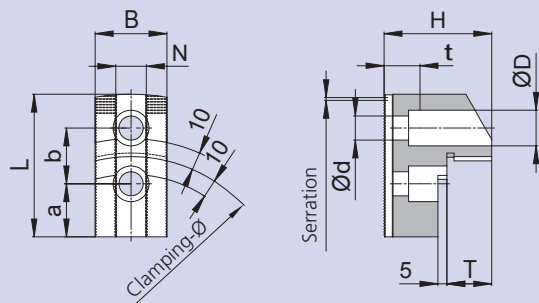
SMW-AUTOBLOK  
63

SMW-AUTOBLOK  
187

# Hard special jaws to customer request

- Simply copy and fax to: +49 (0) 7542 3886
- Download from [www.smw-autoblok.de](http://www.smw-autoblok.de)

## Hard top jaw for external clamping with smooth clamping surface



### Dimensions

a	mm	L	mm
b	mm	N	mm
B	mm	t	mm
d	mm	T	mm
D	mm	Clamping-Ø	mm
H	mm	Workpiece-Ø	mm

### Jaw serration (please mark)

1/16" x 90°	1.5 x 60°
3/32" x 90°	3 x 60°

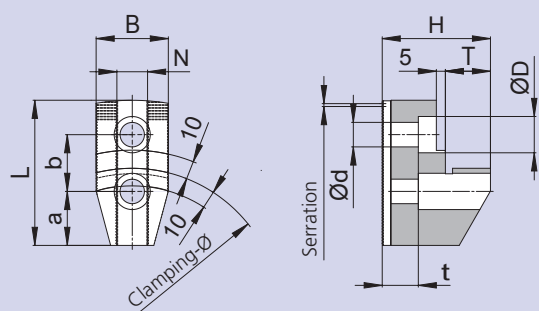
### Material

Quantity in pieces

Chuck manufacturer

Chuck type + size

## Hard top jaw for internal clamping with smooth clamping surface



### Dimensions

a	mm	L	mm
b	mm	N	mm
B	mm	t	mm
d	mm	T	mm
D	mm	Clamping-Ø	mm
H	mm	Workpiece-Ø	mm

### Jaw serration (please mark)

1/16" x 90°	1.5 x 60°
3/32" x 90°	3 x 60°

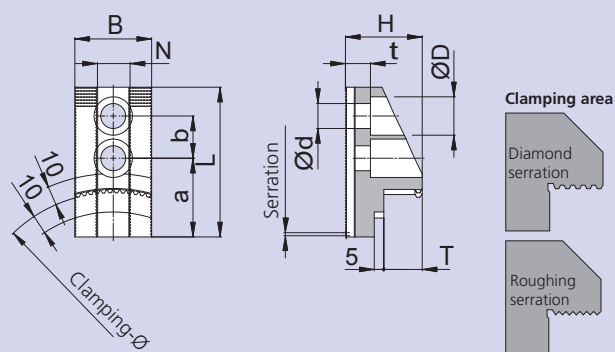
### Material

Quantity in pieces

Chuck manufacturer

Chuck type + size

## Hard top jaw for external clamping with serrated clamping surface



### Dimensions

a	mm	L	mm
b	mm	N	mm
B	mm	t	mm
d	mm	T	mm
D	mm	Clamping-Ø	mm
H	mm	Workpiece-Ø	mm

### Jaw serration (please mark)

1/16" x 90°	1.5 x 60°
3/32" x 90°	3 x 60°

### Clamping area (please mark)

Diamond serration

Roughing serration

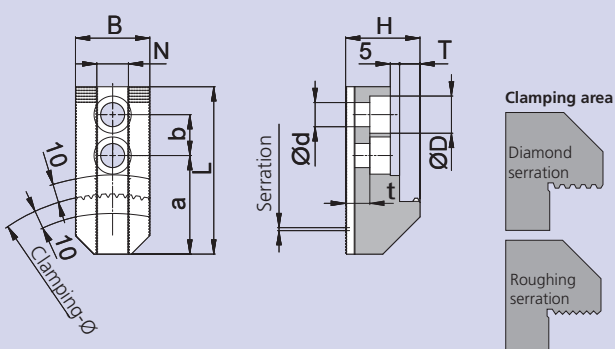
### Material

Quantity in pieces

Chuck manufacturer

Chuck type + size

## Hard top jaw for internal clamping with serrated clamping surface



### Dimensions

a	mm	L	mm
b	mm	N	mm
B	mm	t	mm
d	mm	T	mm
D	mm	Clamping-Ø	mm
H	mm	Workpiece-Ø	mm

### Jaw serration (please mark)

1/16" x 90°	1.5 x 60°
3/32" x 90°	3 x 60°

### Clamping area (please mark)

Diamond serration

Roughing serration

### Material

Quantity in pieces

Chuck manufacturer

Chuck type + size