

Subject to technical changes.
For more detailed information please ask our customer service.

SMW-AUTOBLOK Type			D-PLUS-260	D-PLUS-315
Mounting	Size		225	275
	A	mm	260	315
	B	mm	111	111
	C	mm	125	125
	D1	mm	227	275
	E	mm	225	275
	F	mm	140	171.4
	G		M16	M16
	G1		M42x1.5	M60x1.5
	J	mm	6	6
	P H6	mm	45	63
Piston stroke	S	mm	1.5	1.5
Through hole	T	mm	32	50
Draw pull min. / max.*	F1	kN	0-25	0-30
Draw push for chuck open	F2	kN	25	30
Moment of inertia		kg·m ²	0.45	0.75
Weight without top tooling		kg	44	65
Recommended actuating cylinders	Type		SIN-DFR	SIN-DFR

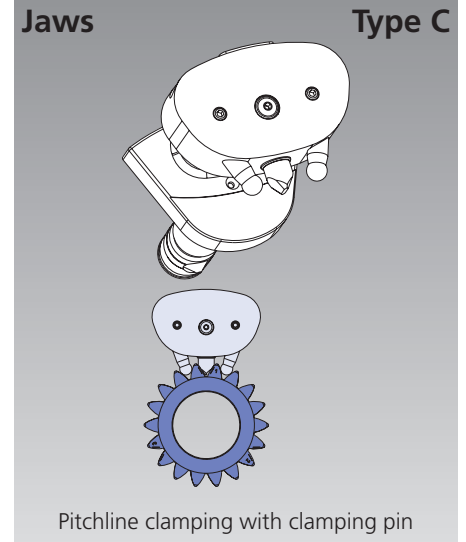
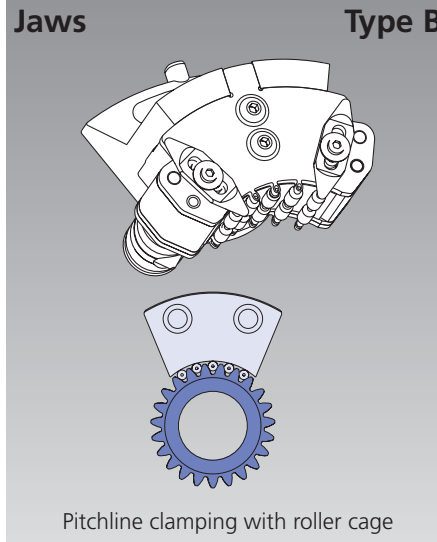
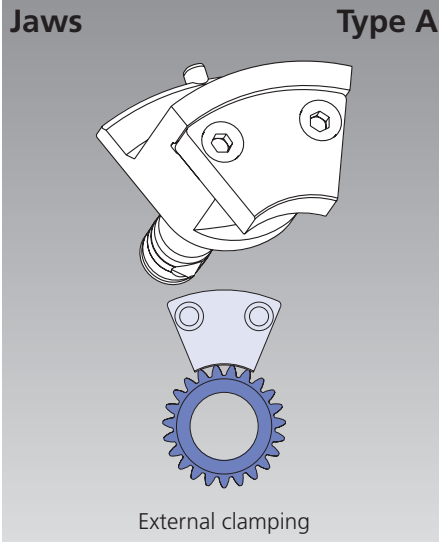
* Additional actuation force to the diaphragm spring clamping force applied by the clamping cylinder.

Advice: The max. allowed speed for the application is permanently marked on the corresponding top jaws and must not be exceeded.

Advice: Please note, that it is important, that the cylinder force for pushing and pulling can be set to different values independently!

Important: Never rotate the chuck without inserted jaws, otherwise the centrifugal force compensation mechanism will get damaged.

- Radial O.D. or pitch line clamping
- With central bore
- Centrifugal force compensation



Actuating cylinder SIN-DFR for diaphragm chuck Type D-PLUS

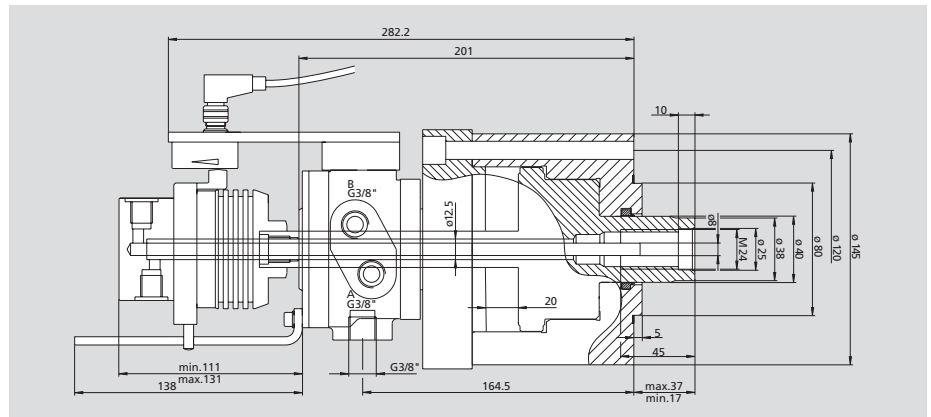
Technical features

- Special cylinder to actuate the diaphragm chuck
- Large / small piston area for opening / clamping
- Rotary unions for 1 or 2 media
- Linear positioning system LPS 4.0 to monitor the piston stroke

Standard equipment

- Cylinder with kit for LPS 4.0 installation without LPS 4.0 position sensor

LPS 4.0 see total catalog page 313



SIN-DFR-LPS 4.0 for rotary union 1 medium Id. No. 046914 (without rotary union*)

SIN-DFR-LPS 4.0 with rotary union 2 media Id. No. 046887 (rotary union 2 media included)

Piston surface		Pressure		pull min./max. kN	push min / max (36 bar max.) kN	Speed max. r.p.m.	Leakage at 30 bar 50°C dm ³ / min	Weight cylinder kg	Moment of inertia kg·m ²	Weight of rotary union 1 medium kg	Weight of rotary union 2 media kg
A pull cm ²	B push cm ²	A min / max bar	B min / max bar								
21	74	3-70	3-36	0.6/14	2.2-27	7000	1.5	9	0.016	0.4	1.5

* To be ordered separately!

Example of application

