

# EM-B

Expanding mandrel  
Manual or power operated

## Expanding mandrels Ø 16 - 129.5 mm

- Size 0 - 4
- Large expansibility



### Application/customer benefits

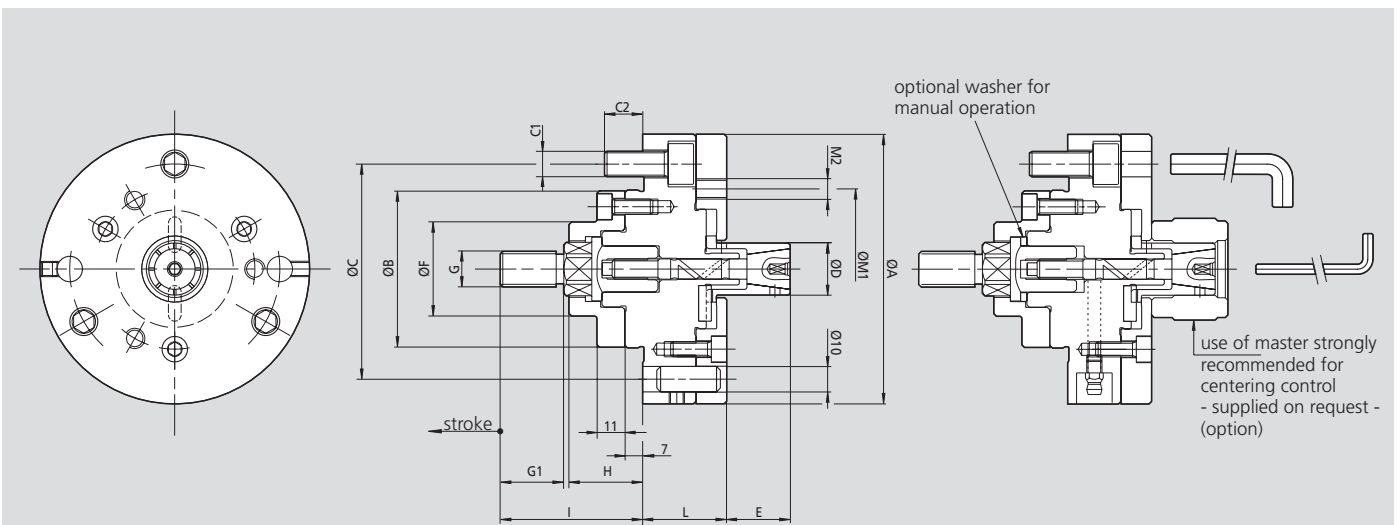
- For turning, milling, grinding and gear cutting operations
- High flexibility by means of modular system
- High torque transmission and concentricity
- No axial movement of clamping sleeve during operation
- Clamping of very short workpieces on the front section of the sleeve possible

### Technical features

- Large expansibility up to 1.5 mm in diameter
- Hand or power operated
- Flange mounting
- Very rigid design
- Tapped holes at the front face to mount axial stops
- Clamping sleeves are also available in siliconized version

### Standard equipment

Basic mandrel with draw bolt for power operation  
Mounting bolts



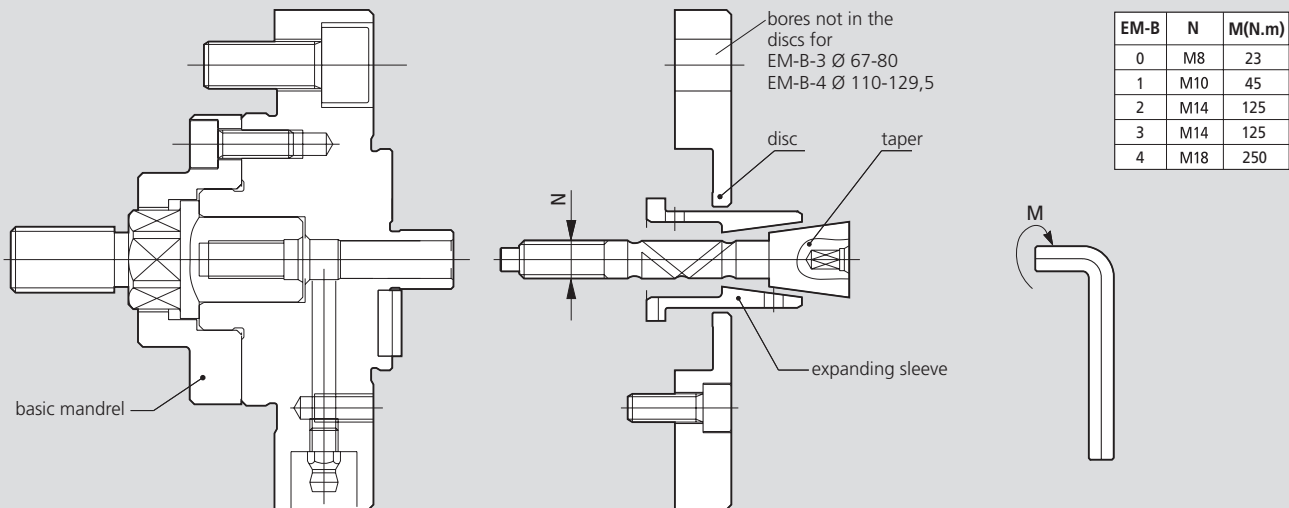
Subject to technical changes.  
For more detailed information please ask our customer service.

SMW-AUTOBLOK Type		EM-B 0	EM-B 1	EM-B 2	EM-B 3	EM-B 4
A	mm	106	106	106	125	180
B g5	mm	62	62	62	62	86
C	mm	82.6	82.6	82.6	82.6	133.4
C1	mm	3 x M10	3 x M10	3 x M10	3 x M10	3 x M12
C2	mm	16	16	16	16	15
D	mm	16-25.5	20-40.5	35-60.5	55-81	80-131
E	mm	23	28	43	58	85
F	mm	37	37	37	37	55
G	mm	M16	M16	M16	M16	M16
G1	mm	25	25	25	25	25
H	mm	29	29	29	29	36
I	mm	56	56	56	56	62
L	mm	35	37	37	37	50
M1	mm	63	68	85	104	162
M2	mm	3 x M8	3 x M8	3 x M8	6 x M8	6 x M8
N	mm	M8	M10	M14	M14	M18

### Technical data

SMW-AUTOBLOK Type		EM-B 0	EM-B 1	EM-B 2	EM-B 3	EM-B 4
Axial stroke	mm	2.5	2.5	2.5	5	6.5
Sleeve expansion on Ø	mm	0.5	0.5	0.5	1	1.5
Max. axial force	kN	7	12	20	20	25
Recommended actuating cylinders	CSN	150	200	200	200	250
	SIN-S	70	70	85	85	100

## Ordering review



EM-B	N	M(N.m)
0	M8	23
1	M10	45
2	M14	125
3	M14	125
4	M18	250

Subject to technical changes.  
For more detailed information please ask our customer service.

EM-B-0				EM-B-1				EM-B-2				EM-B-3				EM-B-4			
basic mandrel expanding sleeve Ø D16-Ø D25				basic mandrel expanding sleeve Ø D20-Ø D40				basic mandrel expanding sleeve Ø D35-Ø D60				basic mandrel expanding sleeve Ø D55-Ø D80				basic mandrel expanding sleeve Ø D80-Ø D129.5			
<b>taper 68020120</b>				<b>taper 68021120</b>				<b>taper 68022120</b>				<b>taper 68023120</b>				<b>taper 68024120</b>			
<b>disc 68040121 68040221 68040321</b>				<b>disc 68041121 68041221 68041321</b>				<b>disc 68042121 68042221</b>				<b>disc 68043121 68043221</b>				<b>disc 68044121 68044221</b>			
D16	68200160			D20	68210200			D35	68220350			D55	68230550			D80	68240800		
D16.5	68200165			D20.5	68210205			D35.5	68220355			D56	68230560			D81.5	68240815		
D17	68200170			D21	68210210			D36	68220360			D57	68230570			D83	68240830		
D17.5		68200175		D21.5		68210215		D36.5	68220365			D58		68230580		D84.5	68240845		
D18		68200180		D22	68210220			D37	68220370			D59		68230590		D86		68240860	
D18.5		68200185		D22.5	68210225			D37.5		68220375		D60		68230600		D87.5		68240875	
D19			68200190	D23	68210230			D38		68220380		<b>taper 68023220</b>				D89		68240890	
D19.5			68200195	D23.5	68210235			D38.5		68220385		<b>disc 68043321 68043421 68043521</b>				D90.5		68240905	
D20			68200200	D24		68210240		D39		68220390		D61	68230610			<b>taper 68024220</b>			
<b>taper 68020220</b>				D24.5		68210245		D39.5		68220395		D62	68230620			<b>disc 68044321 68044421</b>			
D20.5	68200205			D25		68210250		D40		68220400		D63	68230630			D92	68240920		
D21	68200210			<b>taper 68021220</b>				<b>taper 68022220</b>				D64		68230640		D93.5	68240935		
D21.5	68200215			<b>disc 68041421 68041521 68041621</b>				<b>disc 68042321 68042421 68042521</b>				D65		68230650		D95	68240950		
D22		68200220		D25.5	68210255			D40.5	68220405			D66		68230660		D96.5	68240965		
D22.5		68200225		D26	68210260			D41	68220410			D67			68230670	D98		68240980	
D23		68200230		D26.5	68210265			D41.5	68220415			D68			68230680	D99.5		68240995	
D23.5			68200235	D27	68210270			D42	68220420			D69			68230690	D101		68241010	
D24			68200240	D27.5	68210275			D42.5	68220425			D70			68230700	D102.5		68241025	
D24.5			68200245	D28	68210280			D43	68220430			<b>taper 68023320</b>				<b>taper 68024320</b>			
D25			68200250	D28.5		68210285		D43.5		68220435		<b>disc 68043621 68043721 68043821</b>				<b>disc 68044521 68044621</b>			
				D29		68210290		D44		68220440		D71	68230710			D104	68241040		
				D29.5		68210295		D44.5		68220445		D72	68230720			D105.5	68241055		
				D30		68210300		D45		68220450		D73	68230730			D107	68241070		
				D30.5		68210305		D45.5		68220455		D74		68230740		D108.5	68241085		
				D31		68210310		D46		68220460		D75		68230750		D110		68241100	
				D31.5			68210315	D46.5			68220465	D76		68230760		D111.5		68241115	
				D32			68210320	D47			68220470	D77			68230770	D113		68241130	
				D32.5			68210325	D47.5			68220475	D78			68230780	D114.5		68241145	
				D33			68210330	D48			68220480	D79			68230790	<b>taper 68024420</b>			
				D33.5			68210335	D48.5			68220485	D80			68230800	<b>disc 68044721 68044821</b>			
				D34			68210340	D49			68220490					D116	68241160		
				D34.5			68210345	D49.5			68220495					D117.5	68241175		
				D35			68210350	D50			68220500					D119	68241190		
				<b>taper 68021320</b>				<b>taper 68022320</b>								D120.5	68241205		
				<b>disc 68041721 68041821</b>				<b>disc 68042621 68042721 68042821</b>								D122		68241220	
				D35.5	68210355			D50.5	68220505							D123.5		68241235	
				D36	68210360			D51	68220510							D125		68241250	
				D36.5	68210365			D51.5	68220515							D126.5		68241265	
				D37	68210370			D52	68220520							D128		68241280	
				D37.5	68210375			D52.5	68220525							D129.5		68241295	
				D38	68210380			D53	68220530										
				D38.5		68210385		D53.5		68220535									
				D39		68210390		D54		68220540									
				D39.5		68210395		D54.5		68220545									
				D40		68210400		D55		68220550									
								D55.5		68220555									
								D56		68220560									
								D56.5			68220565								
								D57			68220570								
								D57.5			68220575								
								D58			68220580								
								D58.5			68220585								
								D59			68220590								
								D59.5			68220595								
								D60			68220600								

**Ordering example:**

component ID = Ø 30  
 basic mandrel EM-B-1 Id. No. 68101021  
 expanding sleeve AD = Ø 30 Id. No. 68210300  
 taper Id. No. 68021220  
 disc Id. No. 68041521